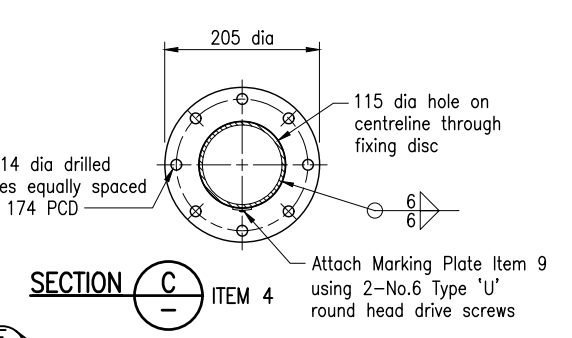
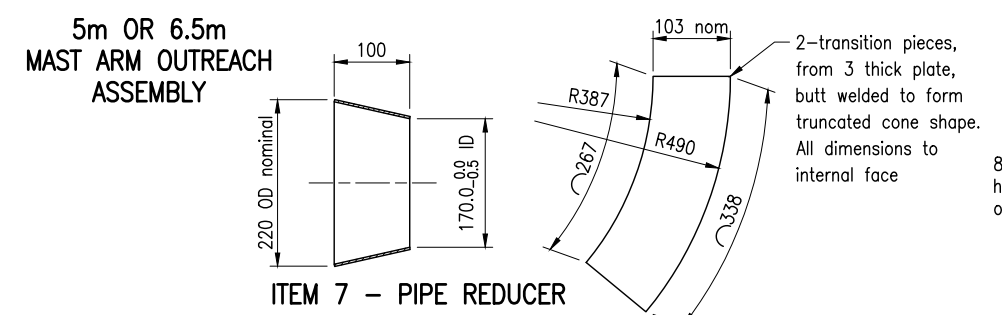
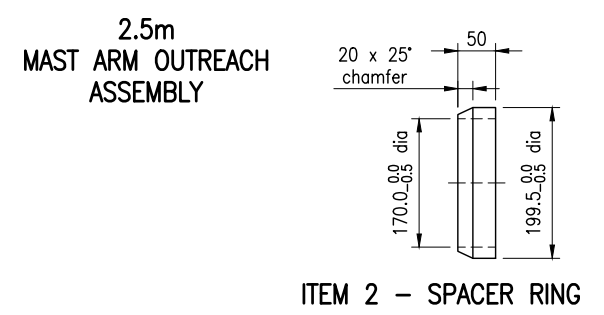
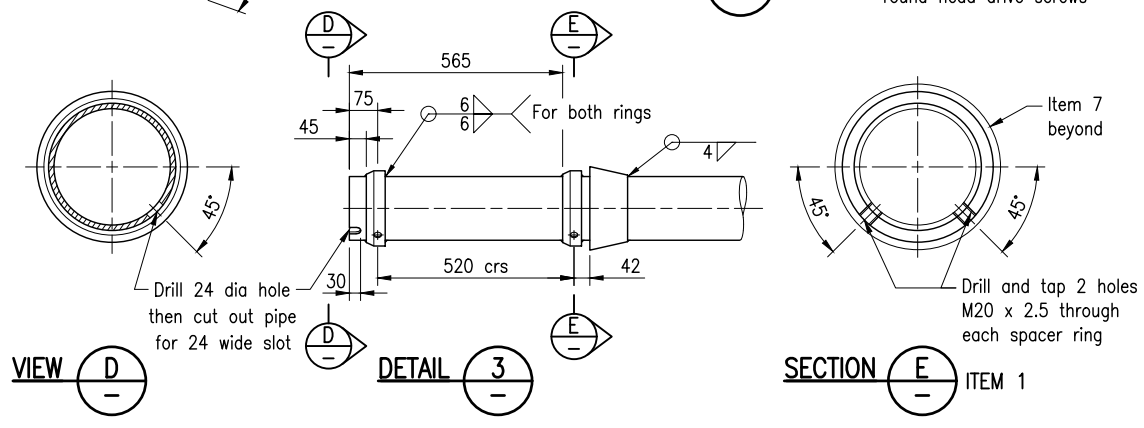


- NOTES:**
- This drawing supersedes TMR fabrication drawing 249614.
 - DESIGN CRITERIA: Type 'M3C' Mast Arm shall conform to AS 2339. Total effective area of lantern assembly shall be 2.0m², i.e. 5-3 aspect 300 dia Traffic Signal Lanterns.
 - STEELWORK shall be fabricated to the requirements of MRTS78 and in accordance with AS 4100. Steel grades are as noted in Material List. CHS to AS/NZS 1163. Steel plate to AS/NZS 3678. Flat bar and round bar to AS/NZS 3679.1. Hollow bar to EN10294-1. Bolts Class 8.8, and washers for Class 8.8 bolts to AS/NZS 1252 and hot dip galvanized to AS 1214. All holes shall be drilled or laser cut, ground smooth around edges. All welds shall be completed prior to hot dip galvanising. Members shall be branded with suitable item number after fabrication. Prior to galvanising all weld splatter and welding slag is to be removed. All other steelwork shall be hot dip galvanised to AS/NZS 4680.
 - WELDING symbols conform to AS 1101.3. All welding to AS/NZS 1554.1 or AS/NZS 1554.4. All welds except location tack welds to be SP category. Welding consumables to be controlled hydrogen type: G493 to AS/NZS ISO 14341-B or T493 to AS/NZS ISO 17632-B.
 - DIMENSIONS are in millimetres.



ITEM No	No OFF	ITEM DESCRIPTION	MATERIAL DESCRIPTION	LENGTH	GRADE
9	1	Marking Plate	2 thick aluminium plate	100 x 25	
8	2	Lifting Lug	12 thick plate	60 x 50	250
7	1	Concentric pipe reducer	3 thick plate, as shown	330 X 125	250
6	1	Overhead lantern mounting post	100NB 114.3 x 4.8 CHS	1300	C250L0
5	2	Infill for outreach arm	3 thick plate, as shown	120 X 25	250
4	2	Overhead lantern fixing disc	10 thick plate	205 dia	250
3	1	Mast Arm Outreach	150NB 168.3 x 7.1 CHS	As shown	C350L0
2	2	Spacer ring	200/160 hollow bar	50	Minimum 550 mPa
1	4	Mounting bolt and flat washer	M20 x 2.5 hex galvanised bolt	40	8.8



- REFERENCED DOCUMENTS:**
- Departmental Standard Drawings:
- 1713 Traffic Signals/Road Lighting - Circular Mast Arm Type U1
 - 1714 Traffic Signals/Road Lighting - Circular Combination Mast Arm Type U2
 - 1427 Traffic Signals/Road Lighting - Mast Arm U Series Installation Details
- Departmental Specifications:
- MRTS78 Fabrication of Structural Steelwork

Department of Transport and Main Roads			
TRAFFIC SIGNALS/ROAD LIGHTING			
CIRCULAR MAST ARM OUTREACH - 2.5m, 5.0m AND 6.5m - ASSEMBLY AND DETAILS		A3 Not to Scale	Standard Drawing No 1715 Date 3/2022