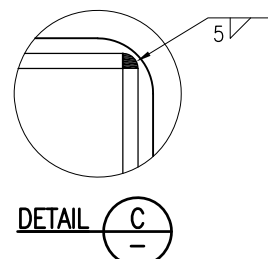
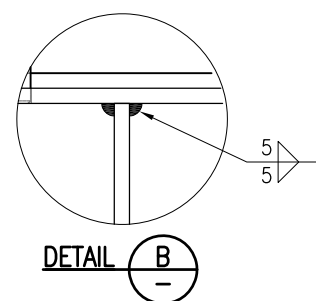
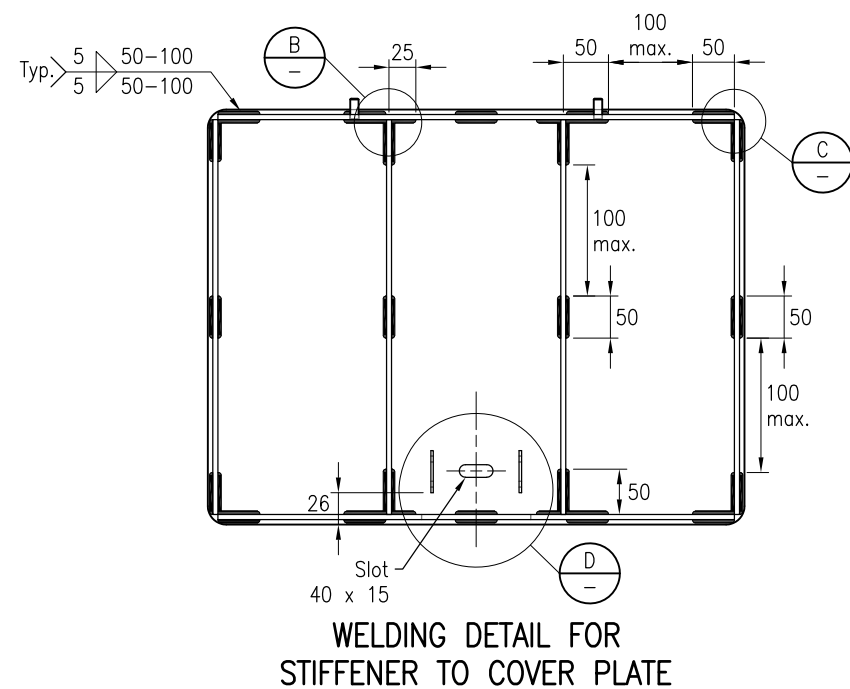
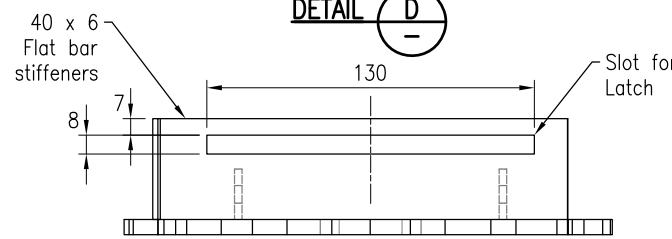
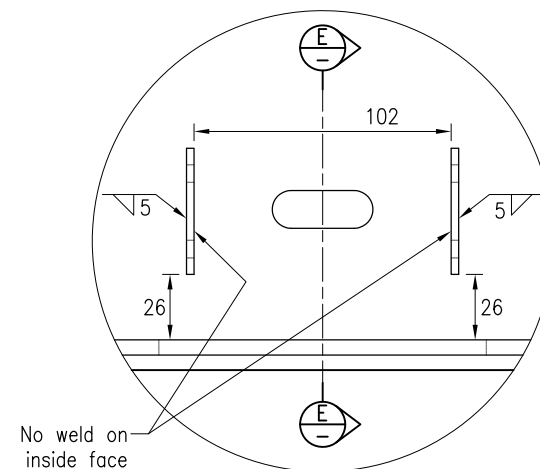
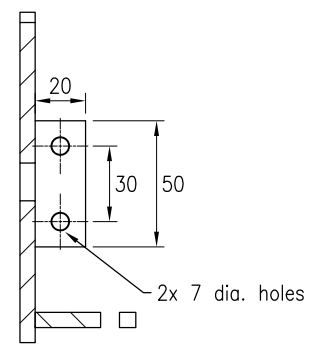


**COVER PLATE DIMENSIONS**

Pit Type	Dim. 'A'	Dim. 'B'
7	494	461
8	494	639



**NOTE:**  
Cable Joining Pit Types 7 and 8 require 2 covers and 1 support/spacer per pit

The purpose of this drawing is to provide typical standard details. The fitness for purpose of this drawing for a specific project is to be determined and certified by a RPEQ engineer. Project specific details may be required to be included in the scheme drawings.

**NOTES:**

- Rectangular cover is for rectangular pits that meet the requirements of MRTS91.
- Design criteria
  - Rectangular cover to meet AS 3996 Class B design load and the requirements of MRTS91.
- Cover is not to be used in roadways.
- Total cover lifting mass to be less than 25kg.
- Materials:
  - Plates to be Grade 250 to AS/NZS 3678.
  - Flat bar to be Grade 300 to AS/NZS 3679.1
  - RHS to be Grade 350LO to AS/NZS 1163.
- Welding:
  - Welding symbols are to AS/NZS 1101.3.
  - Welding to conform to AS/NZS 1554.1
  - Welds to be SP category.
  - Welding consumables to be controlled hydrogen type: G493 to AS/NZS ISO14341-B or T493 to AS/NZS ISO 17632-B unless shown otherwise.
- All edges are to be smooth.
- Steelwork to have weld splatter and welding slag removed prior to hot dip galvanising to AS/NZS 4680.
- Steelwork to be fabricated to the requirements of MRTS78.
- A non-slip, non-conductive coating is to be applied to the top surface of the cover. This is to ensure the coating is not damaged if cover is dropped on edge. Coating is to meet requirements of MRTS91. This coating is also to cover the aluminium text plate.
- Marking of covers:
 

Covers to be marked with letters 'ELECTRICAL' or 'COMMUNICATIONS' as ordered. Text is to be uppercase Arial font or similar and have a minimum height of 30mm for 'ELECTRICAL' and 20mm for 'COMMUNICATIONS'. The markings to be undertaken by engraving into the coating to a depth of 2mm (if facilitated by the coating) or by fastening and then coating an aluminium text plate (refer to detail).

A permanent identifying label to be attached to the underside of each cover and state '[Manufacturer's Name]', 'Date of Manufacture [month/year]' and '[Weight of product in kg]'.

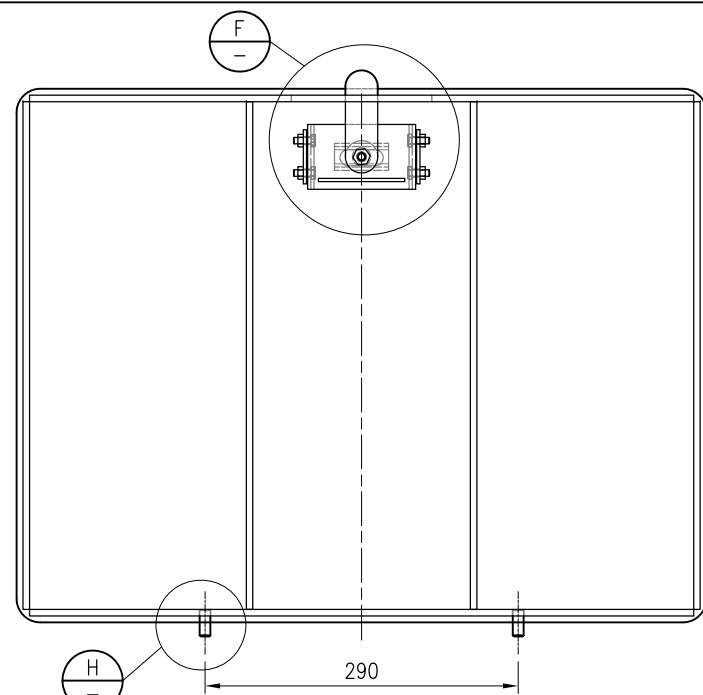
An additional permanent identifying label is to be attached to the underside of each cover and state '[Name of Coating Supplier]'. Self adhesive stick on labels are not to be used as the permanent identifying labels. Use of steel or aluminium labels riveted to middle structural support is acceptable.
- Dimensions are in millimetres unless shown otherwise.

**ASSOCIATED DEPARTMENTAL DOCUMENTS:**  
Standard Drawings Specifications

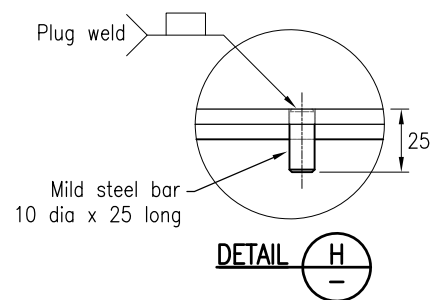
**REFERENCED DOCUMENTS:**  
Departmental Specifications:  
MRTS78 Fabrication of Structural Steelwork  
MRTS91 Conduits and Pits

**Australian Standards:**  
AS/NZS 1101.3 Graphical symbols for general engineering – Welding and non-destructive examination  
AS/NZS 1163 Cold-formed structural steel hollow sections  
AS/NZS 1554.1 Structural steel welding – Welding of steel structures  
AS/NZS 3678 Structural steel – Hot rolled plates, floor plates and slabs  
AS/NZS 3679.1 Structural steel – Hot rolled bars and sections  
AS 3996 Access covers and grates  
AS/NZS 4680 Hot dip galvanized (zinc) coatings on fabricated ferrous articles

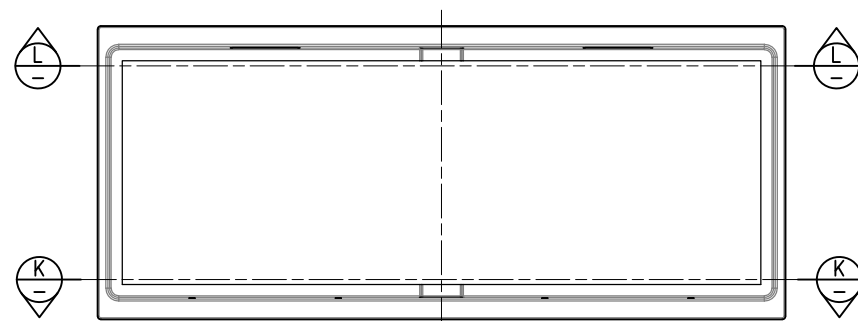
Department of Transport and Main Roads		 <small>© The State of Queensland (Department of Transport and Main Roads) 2023  <a href="https://creativecommons.org/licenses/by/4.0/">https://creativecommons.org/licenses/by/4.0/</a></small>	
TRAFFIC SIGNALS/ROAD LIGHTING			
CABLE JOINTING PIT COVER TYPES 7 AND 8 SHEET 1 OF 2		A3 Not to Scale	Standard Drawing No <b>1634</b> Date 3/2023
A	B	C	D



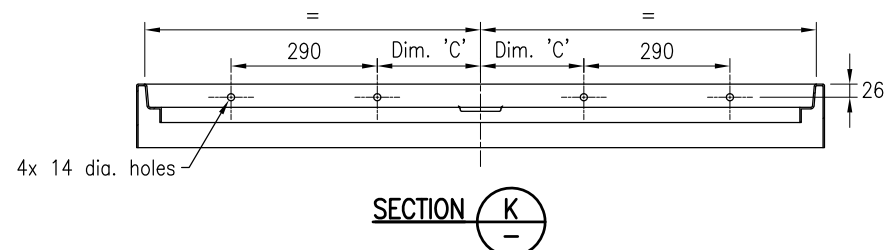
UNDERSIDE VIEW



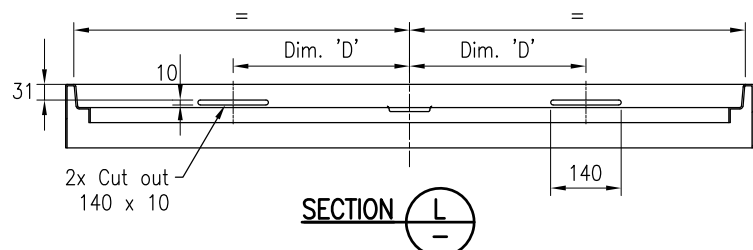
DETAIL H



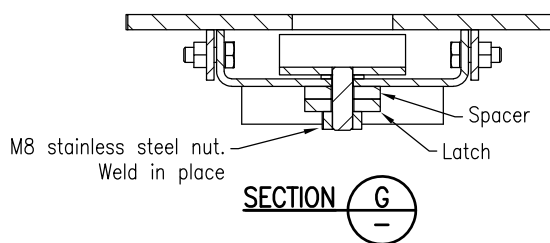
TOP VIEW ON PIT  
SHOWING CUT OUT DETAIL



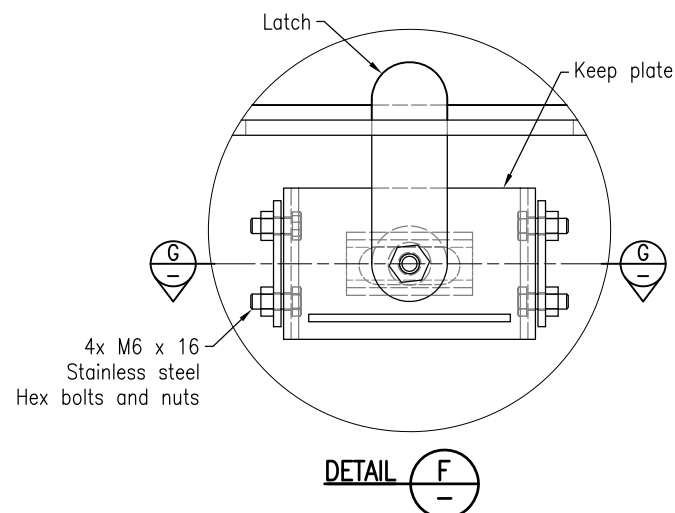
SECTION K



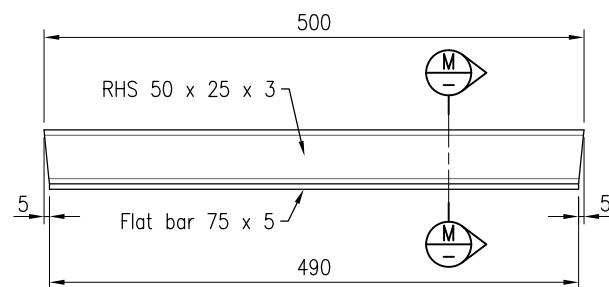
SECTION L



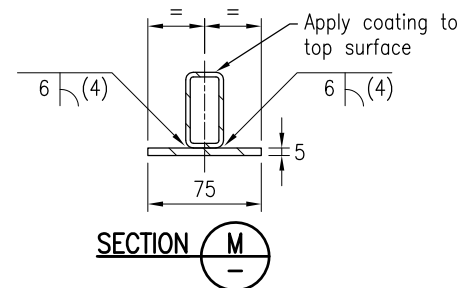
SECTION G



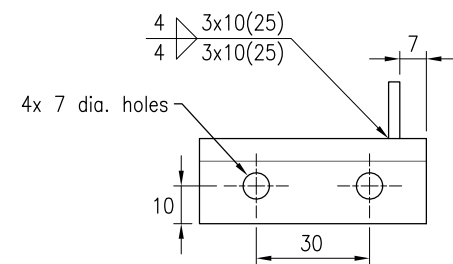
DETAIL F



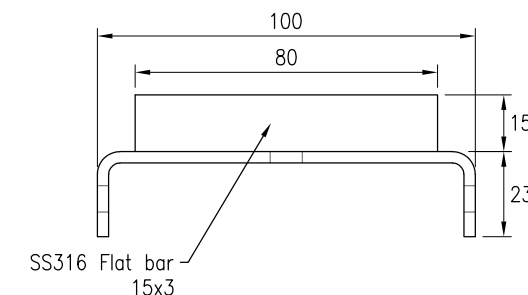
VIEW ON STEEL SUPPORT/SPACER  
FABRICATION DETAILS



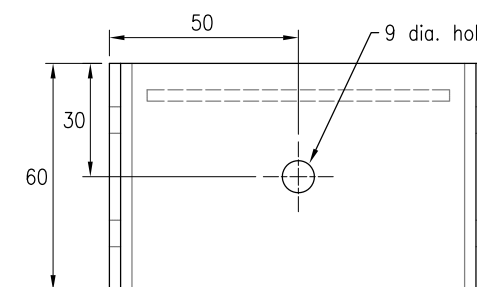
SECTION M



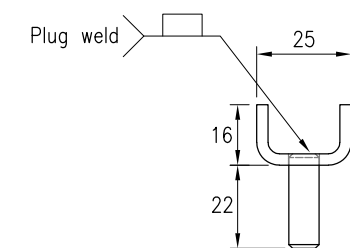
LEFT-HAND END VIEW



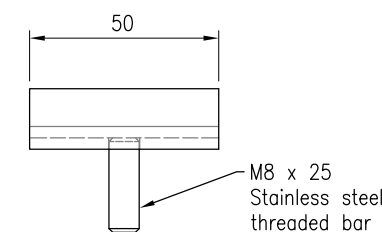
FRONT VIEW



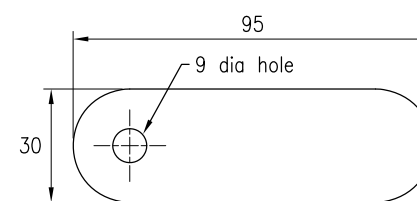
KEEP PLATE  
BOTTOM VIEW  
MATERIAL; SS316 3mm THICK



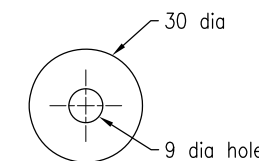
END VIEW



T BAR  
FRONT VIEW  
MATERIAL; SS316 3mm THICK  
THREADED BAR SS M8 x 25 LONG



LATCH  
MATERIAL; SS316 5mm THICK



SPACER  
MATERIAL; SS316 5mm THICK

COVER PLATE DIMENSIONS

Pit Type	Dim. 'C'	Dim. 'D'
7	103	248
8	205	305

The purpose of this drawing is to provide typical standard details. The fitness for purpose of this drawing for a specific project is to be determined and certified by a RPEQ engineer. Project specific details may be required to be included in the scheme drawings.

Department of Transport and Main Roads			
TRAFFIC SIGNALS/ROAD LIGHTING			
CABLE JOINTING PIT COVER TYPES 7 AND 8 SHEET 2 OF 2		A3 Not to Scale	Standard Drawing No <b>1634</b> Date 3/2023