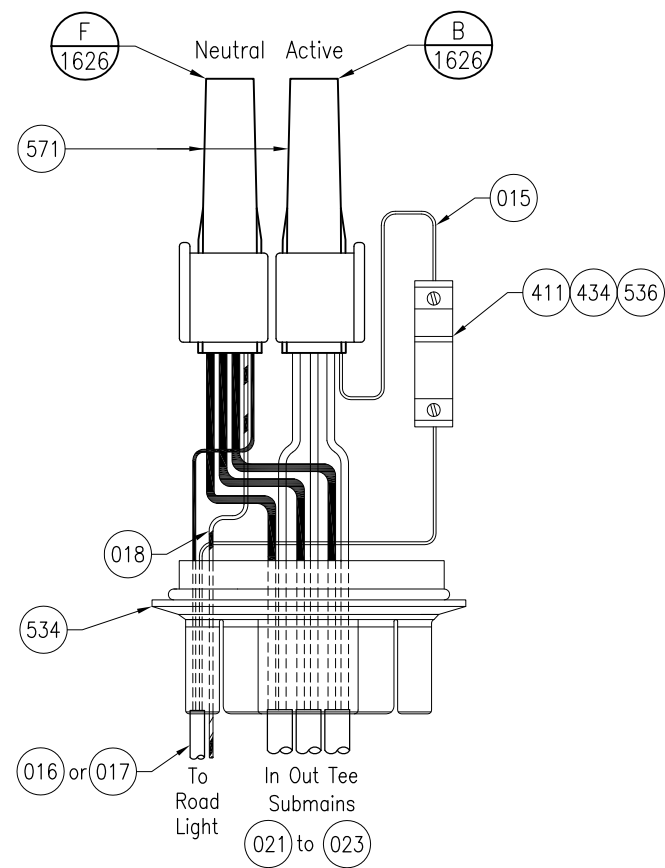


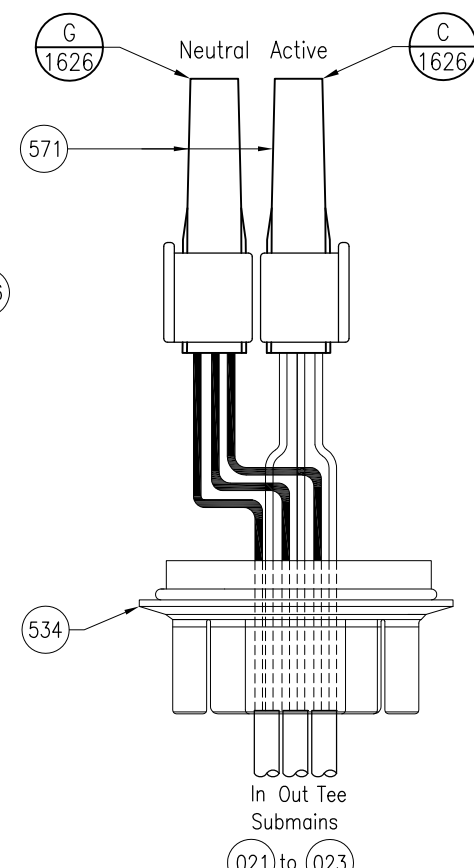
DETAIL A 416

SINGLE PHASE FUSED JOINT



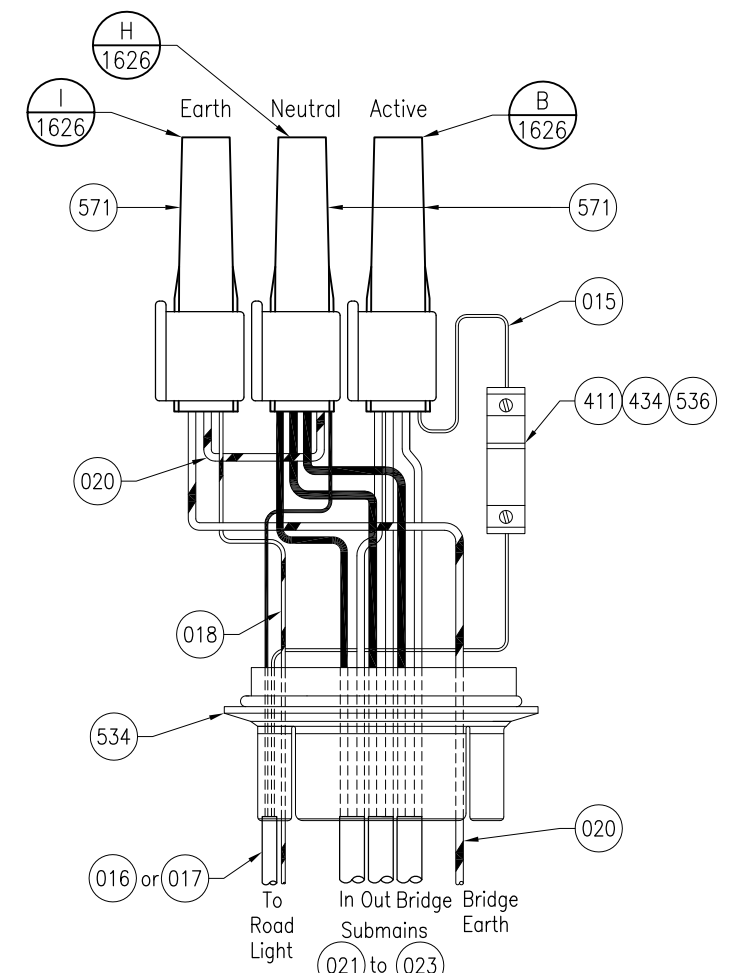
DETAIL B 416

SINGLE PHASE FUSED JOINT WITH TEE-OFF



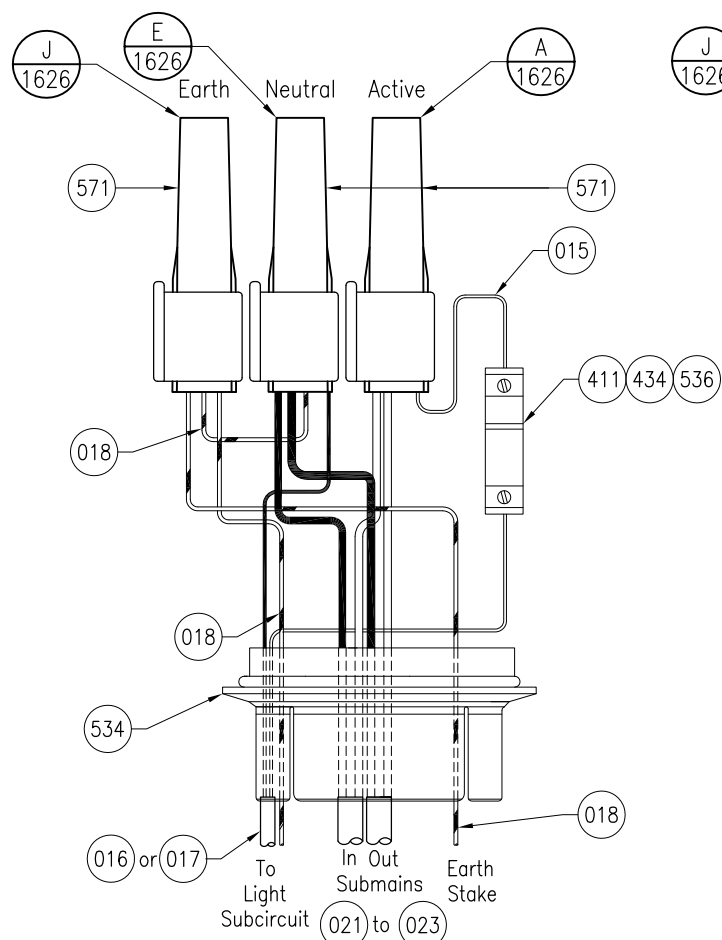
DETAIL C 528

SINGLE PHASE TEE-OFF (NO FUSE)



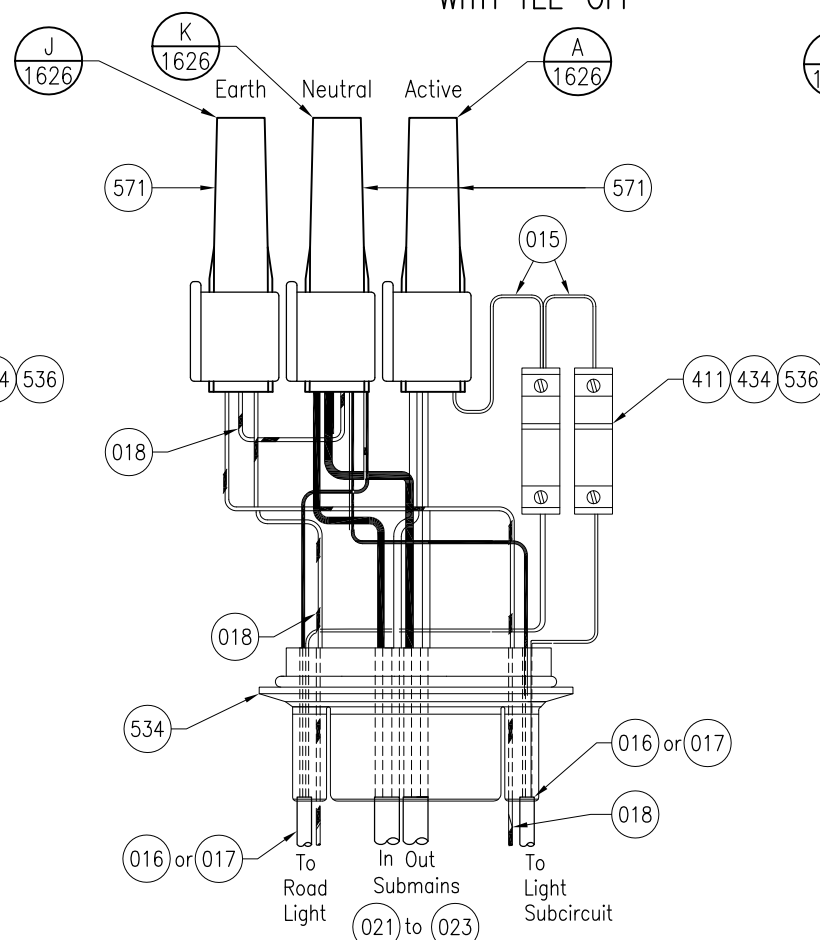
DETAIL D 595

SINGLE PHASE FUSED JOINT WITH BRIDGE TEE-OFF



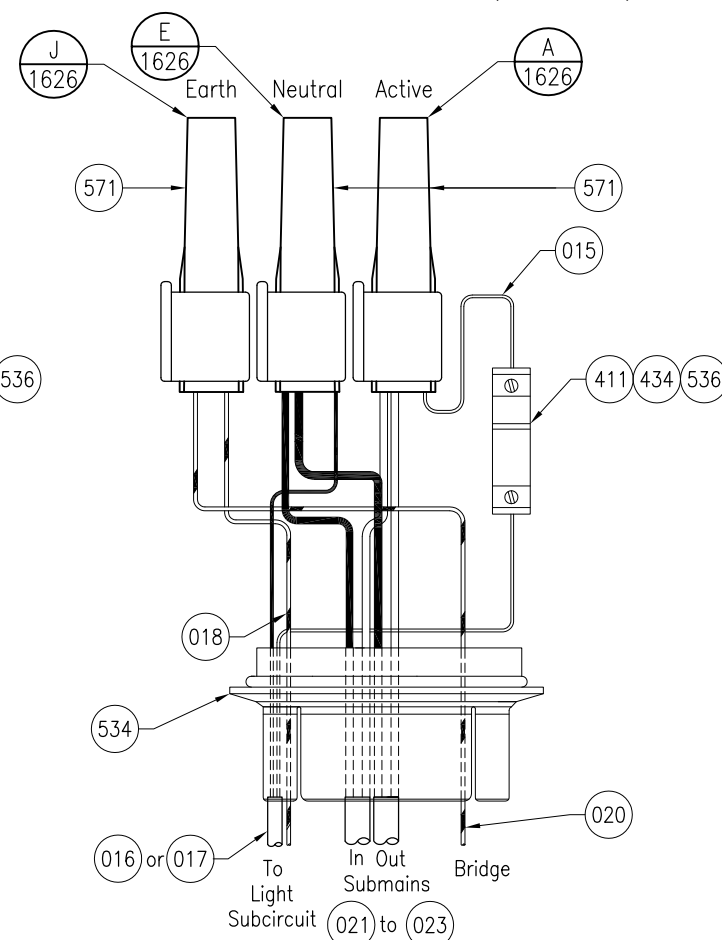
DETAIL E 597

SINGLE PHASE FUSED SUBCIRCUIT REMOTE CONNECTION



DETAIL F 599

SINGLE PHASE FUSED SUBCIRCUIT LOCAL ROAD LIGHT POLE CONNECTION



DETAIL G 601

SINGLE PHASE FUSED JOINT BRIDGE/STRUCTURE

LEGEND

Refers to Detail "X" on standard drawing "1626" or similar

NOTES:

1. Refer TRUM 4.4 for installation details and sequence.

ASSOCIATED DEPARTMENTAL DOCUMENTS:

- Standard Drawings Specifications
- Traffic and Road Use Management Manual (TRUM) - Volume 4 Part 4 Road lighting Dome Junction Box Assembly

REFERENCED DOCUMENTS:

- Departmental Drawings: 1626 Road Lighting - Junction Box Active, Neutral and Earth Bolting Arrangements
- 1699 Traffic Signals/Road Lighting/ITS - Parts List

Departmental Specifications:

MRTS228 - Provision of Electrical Switchboards

Australian Standards:

AS/NZS 3000 Electrical Installations (Wiring Rules)

Department of Transport and Main Roads			
ROAD LIGHTING			
JUNCTION BOX SINGLE PHASE WIRING DETAILS		A3	Standard Drawing No
		Not to Scale	1624
			Date 7/18
		A	B C D E F G