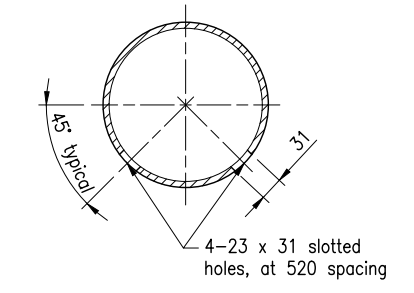
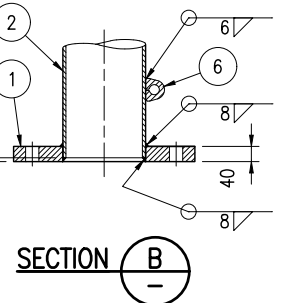
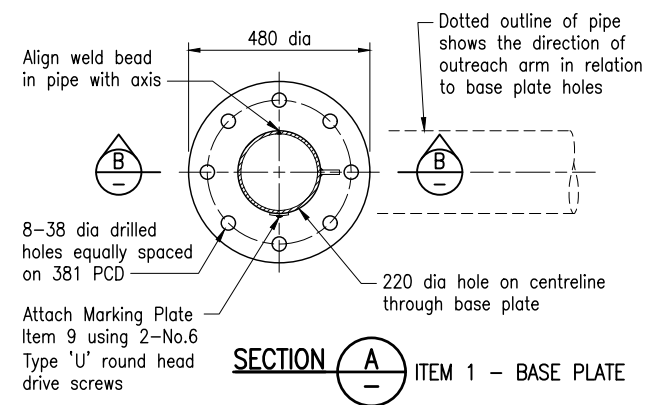
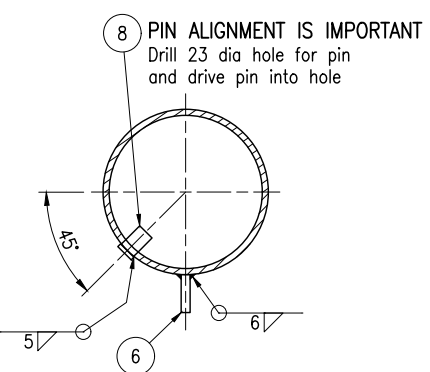


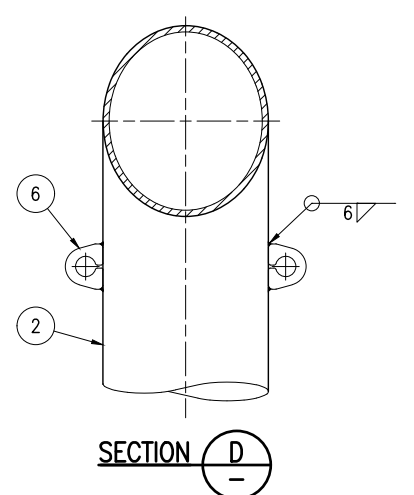
POST ASSEMBLY



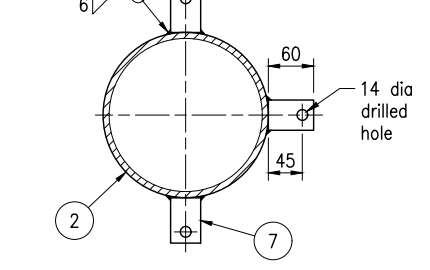
SECTION F



SECTION E

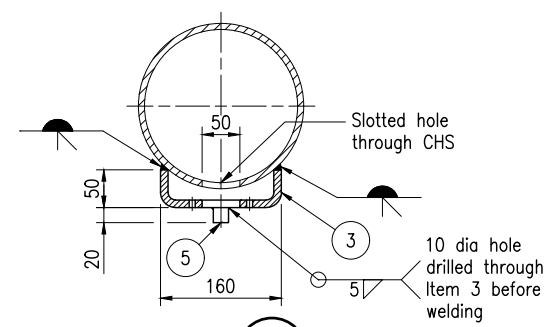


SECTION D

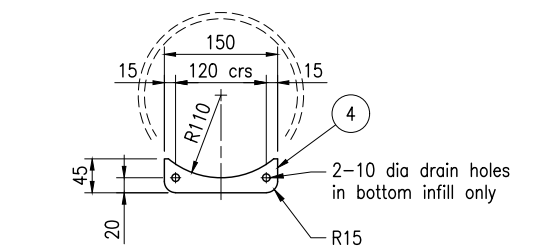


SECTION C

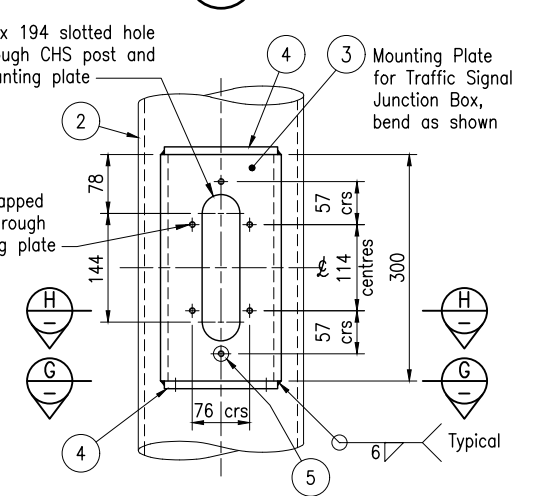
ITEM 7 - LANTERN FIXING LUG



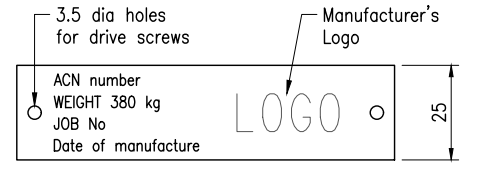
SECTION H



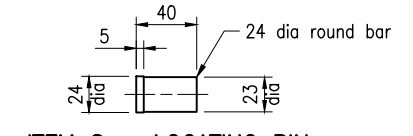
SECTION G



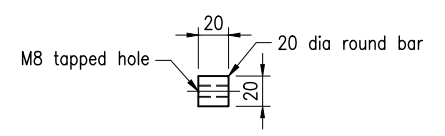
DETAIL 1



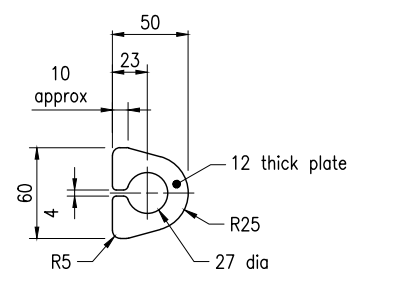
ITEM 9 - TYPICAL MARKING PLATE



ITEM 8 - LOCATING PIN



ITEM 5 - EARTHING PIN



ITEM 6 - LIFTING LUG

NOTES:

- This drawing supersedes TMR fabrication drawing 249628. Refer Standard Drawing 1712 for circular mast arm fabrication details.
- DESIGN CRITERIA: Type 'M3C' Mast Arm shall conform to AS 2339. Total effective area of lantern assembly shall be 2.0m<sup>2</sup>, i.e. 5-3 aspect 300 dia Traffic Signal Lanterns.
- STEELWORK shall be fabricated to the requirements of MRTS78 and in accordance with AS 4100. Steel grades are as noted in Material List. CHS to AS/NZS 1163. Steel plate to AS/NZS 3678. Flat bar and round bar to AS/NZS 3679.1. All holes shall be drilled or laser cut, ground smooth around edges. All welds shall be completed prior to hot dip galvanising. All steelwork shall be hot dip galvanised to AS/NZS 4680. Prior to galvanising all weld splatter and welding slag is to be removed. Members shall be branded with suitable item number after fabrication.
- WELDING symbols conform to AS 1101.3. All welding to AS/NZS 1554.1. All welds except location tack welds to be SP category. Welding consumables to be controlled hydrogen type: G493 to AS/NZS ISO 14341-B or T493 to AS/NZS ISO 17632-B.
- DIMENSIONS are in millimetres.

REFERENCED DOCUMENTS:

- Departmental Standard Drawings:  
1712 Traffic Signals/Road Lighting - Circular Mast Arm Fabrication Details
- Departmental Specifications:  
MRTS78 Fabrication of Structural Steelwork

ITEM No	No OFF	ITEM DESCRIPTION	MATERIAL DESCRIPTION	LENGTH	GRADE
9	1	Marking Plate	2 thick aluminium plate	100 x 25	-
8	1	Locating Pin	24 dia round bar	40	300
7	15	Lantern Fixing Lug	10 thick flat bar	60 x 40	300
6	4	Lifting Lug	12 thick plate	60 x 50	250
5	1	Earthing Pin	20 dia round bar	20	300
4	2	Infill for Item 3	10 thick plate	150 x 45	250
3	1	Mounting Plate (for Traffic Signal Junction Box)	10 thick plate	300 x 225	250
2	1	Post	Refer to Standard Drawing 1712	-	-
1	1	Base Plate	40 thick plate	480 dia	350

MATERIAL LIST

Department of Transport and Main Roads		<p>© The State of Queensland (Department of Transport and Main Roads) 2022 <a href="https://creativecommons.org/licenses/by/4.0/">https://creativecommons.org/licenses/by/4.0/</a></p>	
TRAFFIC SIGNALS/ROAD LIGHTING			
CIRCULAR MAST ARM TYPE U1 - POST WITHOUT LUMINAIRE SPIGOT - ASSEMBLY AND DETAILS		A3 Not to Scale	Standard Drawing No <b>1713</b> Date 3/2022