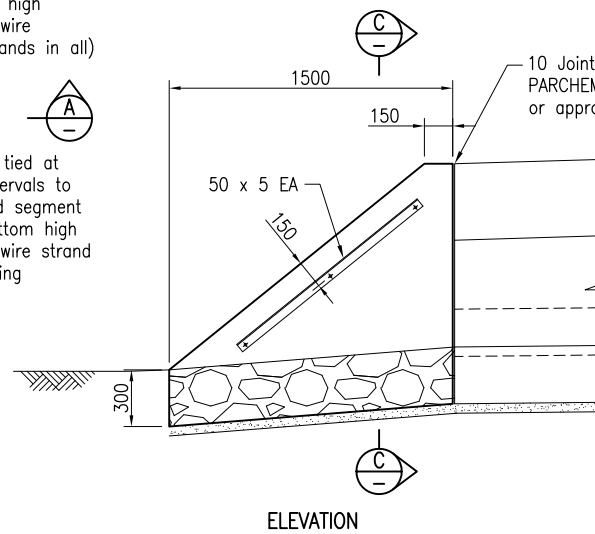
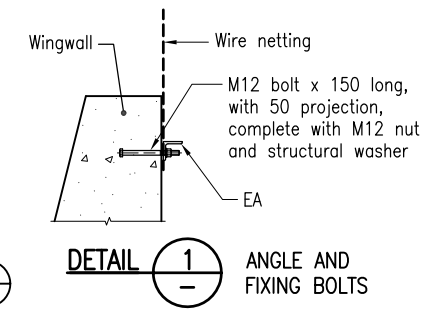
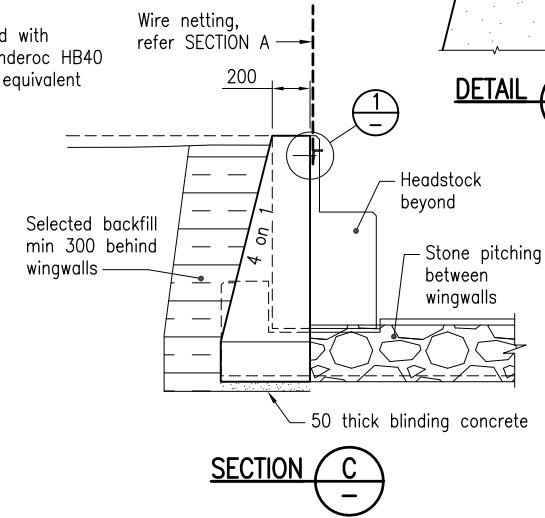


GENERAL ARRANGEMENT – VERMIN AND DOG FENCING
(Grid details shown indicative only. Refer Standard Drawing 1561 for General Arrangement details)



WINGWALL DETAILS

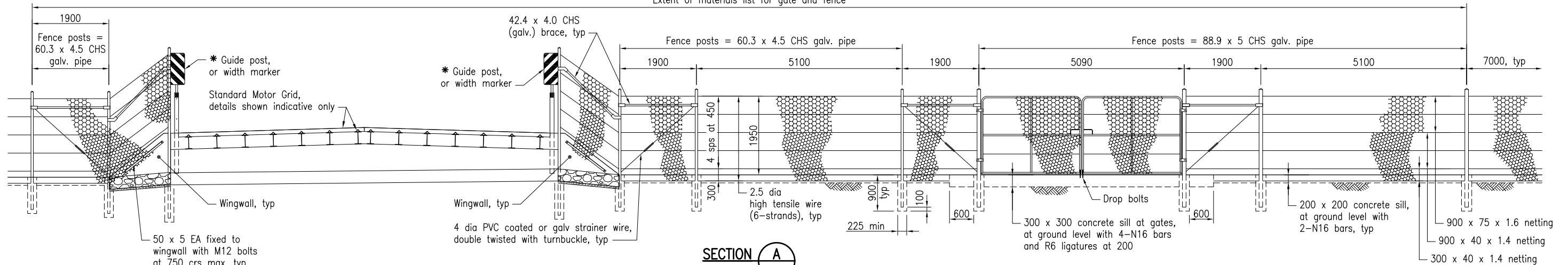


DETAIL 1 ANGLE AND FIXING BOLTS

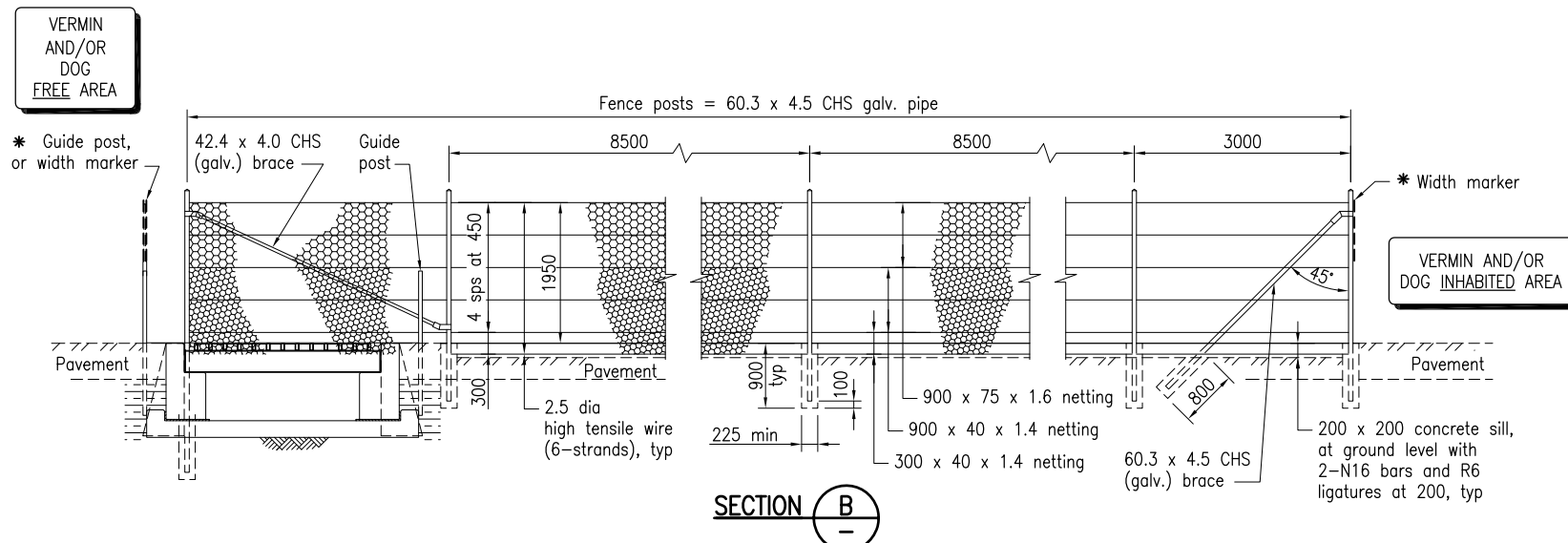
MATERIALS LIST FOR GATE AND FENCE

| | | |
|---|----------------|---------------------|
| Fence posts 88.9 dia including caps | No. | 4 |
| Fence posts 60.3 dia including caps | No. | 5 |
| Gates including fittings | No. | 2 |
| Concrete | Post footings | m ³ 0.4 |
| | Sills | m ³ 1.25 |
| Wire netting | 900 x 75 x 1.6 | m 27 |
| | 900 x 40 x 1.4 | m 27 |
| | 300 x 40 x 1.4 | m 27 |
| Guide posts | No. | 4 |
| Galvanised tie wire 1.6 dia | m | 7 |
| Horizontal braces 42.4 dia incl. fittings | No. | 4 |
| Angled braces 42.4 dia including fittings | No. | 2 |
| Turnbuckles | No. | 4 |
| Wire 2.5 dia | m | 140 |
| 51 x 51 x 5 angle x 1500 long | No. | 2 |
| Reinforcement for sills | m | 57 |

Extent of materials list for gate and fence



TYPICAL FENCE AND GATE DETAILS ADJACENT TO GRID



TYPICAL DETAILS FOR RETURN FENCE ALONG ROAD SHOULDER

MATERIALS LIST FOR RETURN FENCE

| | | |
|---|----------------|--------------------|
| Fence posts 60.3 dia including caps | No. | 10 |
| Concrete | Post footings | m ³ 0.4 |
| | Sills | m ³ 1.6 |
| Wire netting | 900 x 75 x 1.6 | m 46 |
| | 900 x 40 x 1.4 | m 46 |
| | 300 x 40 x 1.4 | m 46 |
| Galvanised tie wire 1.6 dia | m | 12 |
| Width markers | No. | 2 |
| Angled braces 60.3 dia including fittings | No. | 2 |
| Angled braces 42.4 dia including fittings | No. | 2 |
| Wire 2.5 dia | m | 312 |
| Reinforcement for sills | m | 80 |

ASSOCIATED DEPARTMENTAL DOCUMENTS:

- Standard Drawings Specifications
- Manual of Uniform Traffic Control Devices (MUTCD)
- REFERENCED DOCUMENTS:
- Departmental Standard Drawings:
 - 1561 Road Furniture – Motor Grid – General Arrangement
 - 1565 Road Furniture – Motor Grid – Steelworks
- Departmental Specifications:
 - MRTS03 Drainage, Retaining Structures and Protective Treatment
 - MRTS14 Road Furniture
 - MRTS70 Concrete
 - MRTS71 Reinforcing Steel
 - MRTS78 Fabrication of Structural Steelwork

NOTES:

- Refer Standard Drawing 1561 for General Notes, Grid Construction Scenarios and General Arrangements for Standard Motor Grids. Refer details of Standard Drawing 1565 for Motor Grid steelwork details.
- FENCING AND GATES are to comply with MRTS14.
- STRUCTURAL STEEL to be fabricated to the requirements of MRTS78. CHS to be Grade C250L0 to AS/NZS 1163. EA to be Grade 300 to AS/NZS 3679.1. Bolts Class 4.6 to AS 1111.1, nuts Class 5 to AS 1112.1, washers for Class 4.6 bolts to AS 1237.1. All bolts and nuts to be hot dip galvanised to AS 1214. All other steelwork to be hot dip galvanised to AS/NZS 4680 unless shown otherwise. Prior to galvanising, all weld splatter and welding slag is to be removed.
- CONCRETE to be in accordance with MRTS70. Concrete to be N25/20. Cover to reinforcing steel to be 40 minimum.
- REINFORCING STEEL to be in accordance with MRTS71 and AS/NZS 4671. Deformed bars Grade D500N and round bars Grade R250N, and Australian Certification Authority for Reinforcing Steel (ACRS) certified.
- WIDTH MARKERS in accordance with MUTCD Part 2 are required if the grid width is less than the formation width.
- STONE PITCHING to MRTS03.
- DIMENSIONS are in millimetres unless shown otherwise.

| | | | |
|---|---|----|---------------------|
| Department of Transport and Main Roads | | | |
| ROAD FURNITURE | | | |
| VERMIN AND DOG FENCING AT MOTOR GRID | | A3 | Standard Drawing No |
| Not to Scale | | | 1353 |
| Date 07/15 | | | |
| A | B | C | |