

SWITCHBOARD WIRING LAYOUT
WITHOUT PHOTOELECTRIC CELL CONTROL

MATERIAL NOTES:

- M1. Mounting plate : 2mm stainless steel 316
- M2. Main Switch and Fuse switches Mount : 1.5mm stainless steel 316
- M3. Enclosure : 1.5mm stainless steel 316, orbital finish
- M4. Escutcheon : 2mm stainless steel 316
- M5. Door seal : Polyurethane Gasket Foamed In place
- M6. Switchboard Gasket : 3mm thick UV stabilised polyurethane
- M7. Hinges : Chrome Plated Brass Pintle Hinge
- M8. Gland plate : 5mm thick Aluminium
- M9. Gland plate Gasket : 3mm thick UV stabilised polyurethane
- M10. Enclosure Rating : IP55
- M11. Din Rail TS35-7.5 passivated steel
- M12. Labels

ID	Description	Colour	Font
A	DANGER 415 VOLTS	White Traffolyte with red letters	5mm Arial font
B	MAIN SWITCH	White Traffolyte with black letters	5mm Arial font
C	WARNING – MAIN SWITCH IS NOT INTERLOCKED TO DOOR	White Traffolyte with red letters	5mm Arial font
D	LIGHTING CONTACTORS BEHIND	White Traffolyte with black letters	5mm Arial font
E	MEN LINK BEHIND	White Traffolyte with black letters	5mm Arial font
F	MEN LINK	White Traffolyte with black letters	5mm Arial font
G	EARTH ELECTRODE IN ADJACENT EARTH PIT	White Traffolyte with black letters	5mm Arial font
H	(other labels)	White Traffolyte with black letters	3mm Arial font

NOTES:

1. Dimensions are in millimetres unless shown otherwise.

ASSOCIATED DEPARTMENTAL DOCUMENTS:

- Standard Drawings
- Specifications
- Traffic and Road Use Management Manual (TRUM)
 - Volume 4 Part 3 Electrical Design for Roadside Devices

REFERENCED DOCUMENTS:

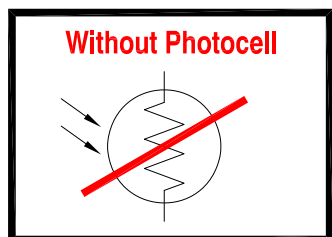
- Departmental Standard Drawings:
- 1623 Road Lighting – Switchboard Typical Layout and Circuit Diagram MEN System
 - 1627 Road Lighting – Switchboard Top Mounted
 - 1628 Road Lighting – Post – Top Mounted Switchboard
 - 1699 Traffic Signals/Road Lighting/ITS – Parts List

Departmental Standard Specifications:

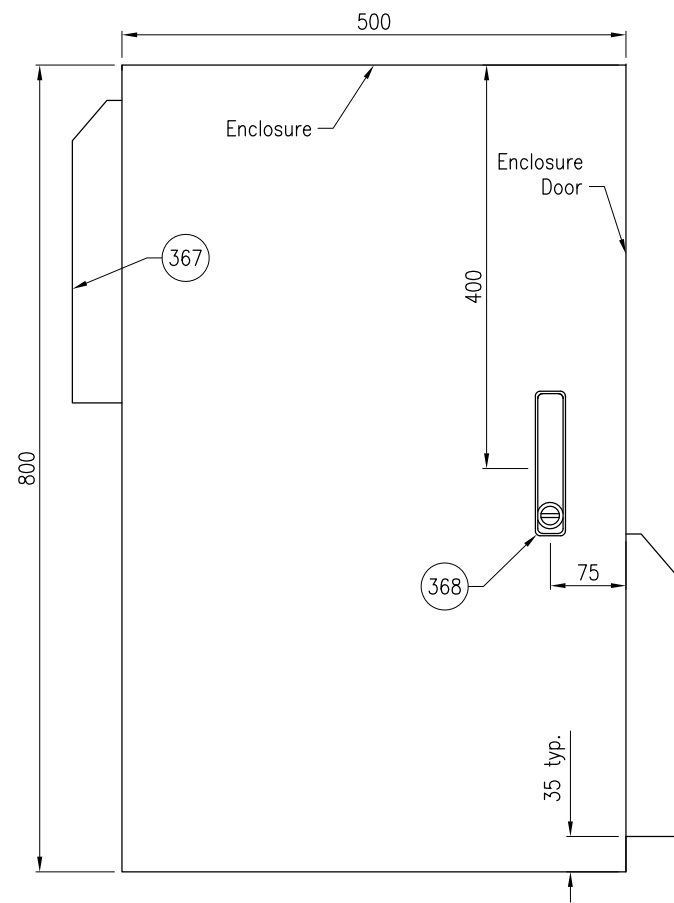
- MRTS210 Provision of Mains Power
- MRTS228 Electrical Switchboards
- MRTS256 Power Cables

Australian Standards:

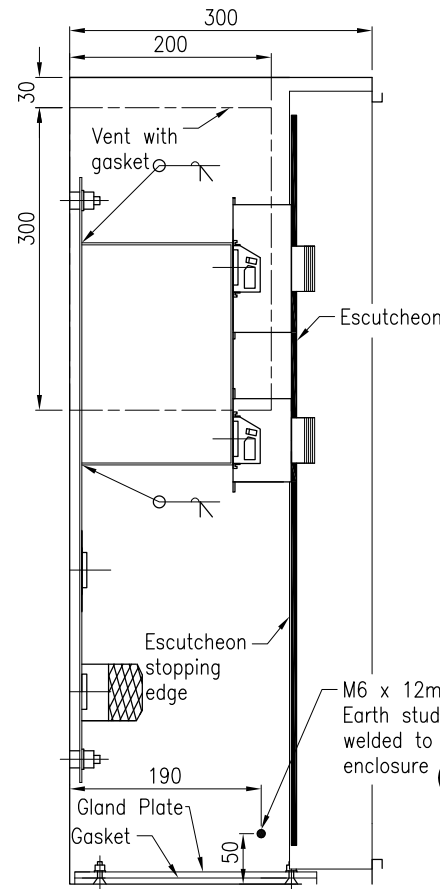
- AS/NZS 3000 Electrical Installations (Wiring Rules)



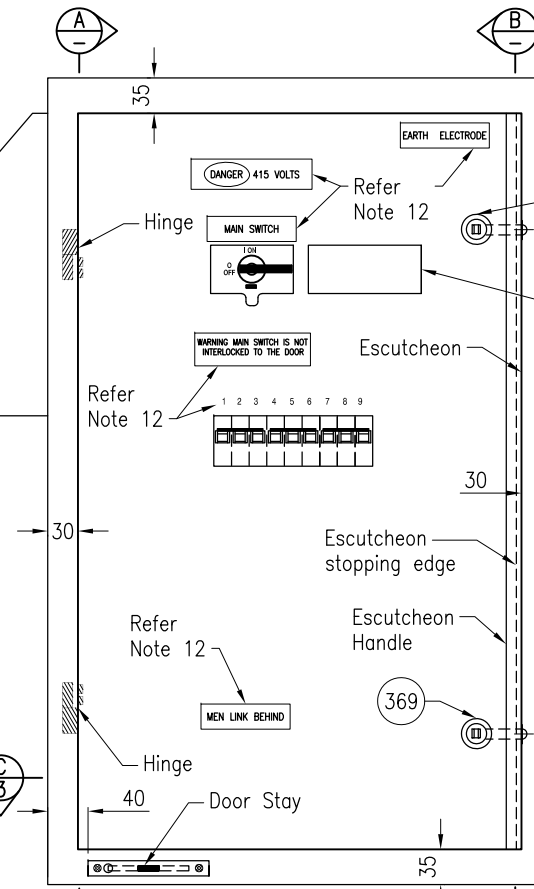
Department of Transport and Main Roads		 <small>© The State of Queensland (Department of Transport and Main Roads) 2021 http://creativecommons.org/licenses/by/4.0/</small>	
ROAD LIGHTING			
SWITCHBOARD ASSEMBLY DETAILS		A3	Standard Drawing No
SHEET 1 OF 6		Not to Scale	1686
			Date 3/2021
A	B	C	D



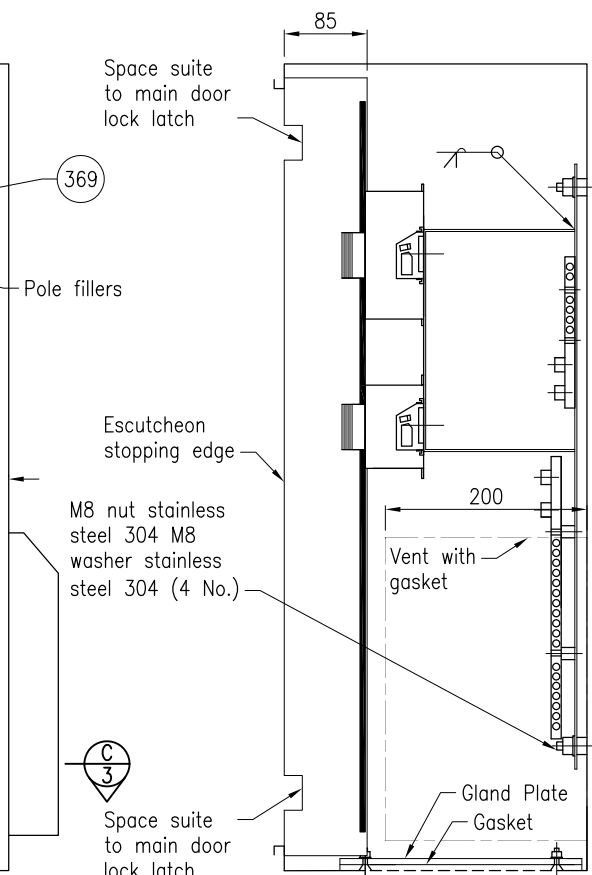
FRONT VIEW DOOR LAYOUT



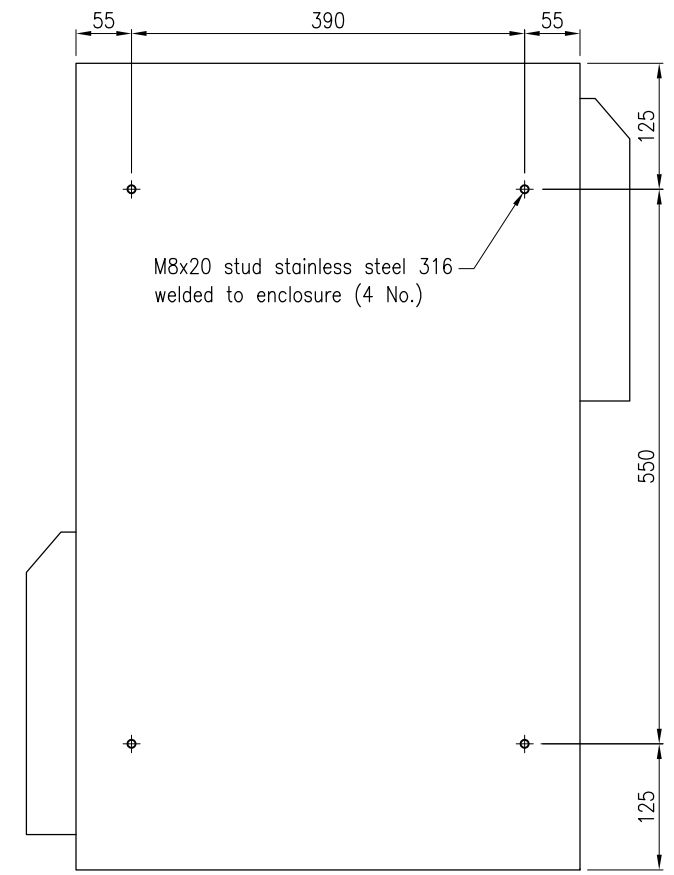
SECTION A



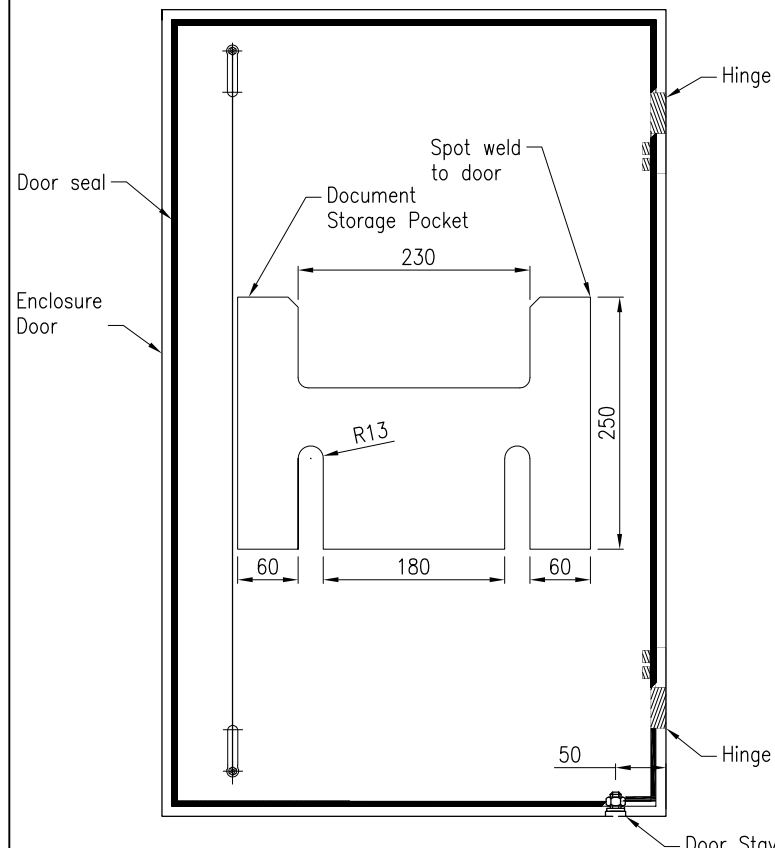
FRONT VIEW ESCUTCHEON DOOR REMOVED



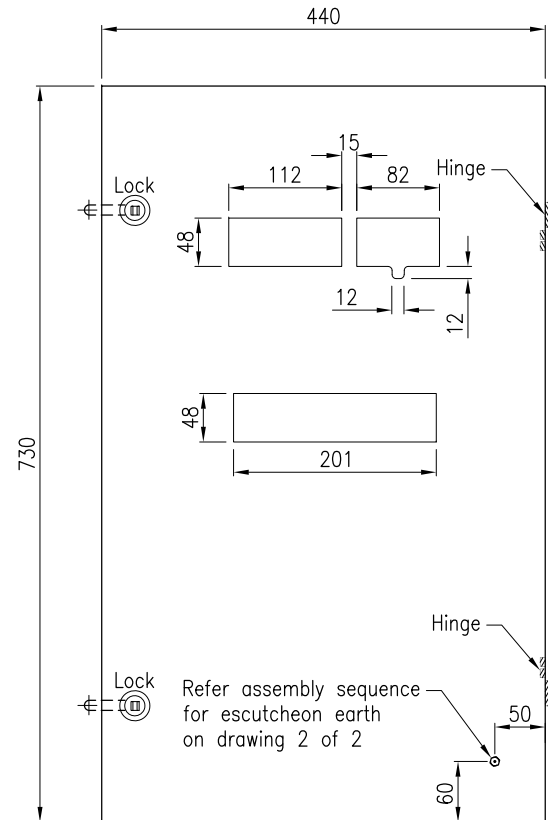
SECTION B



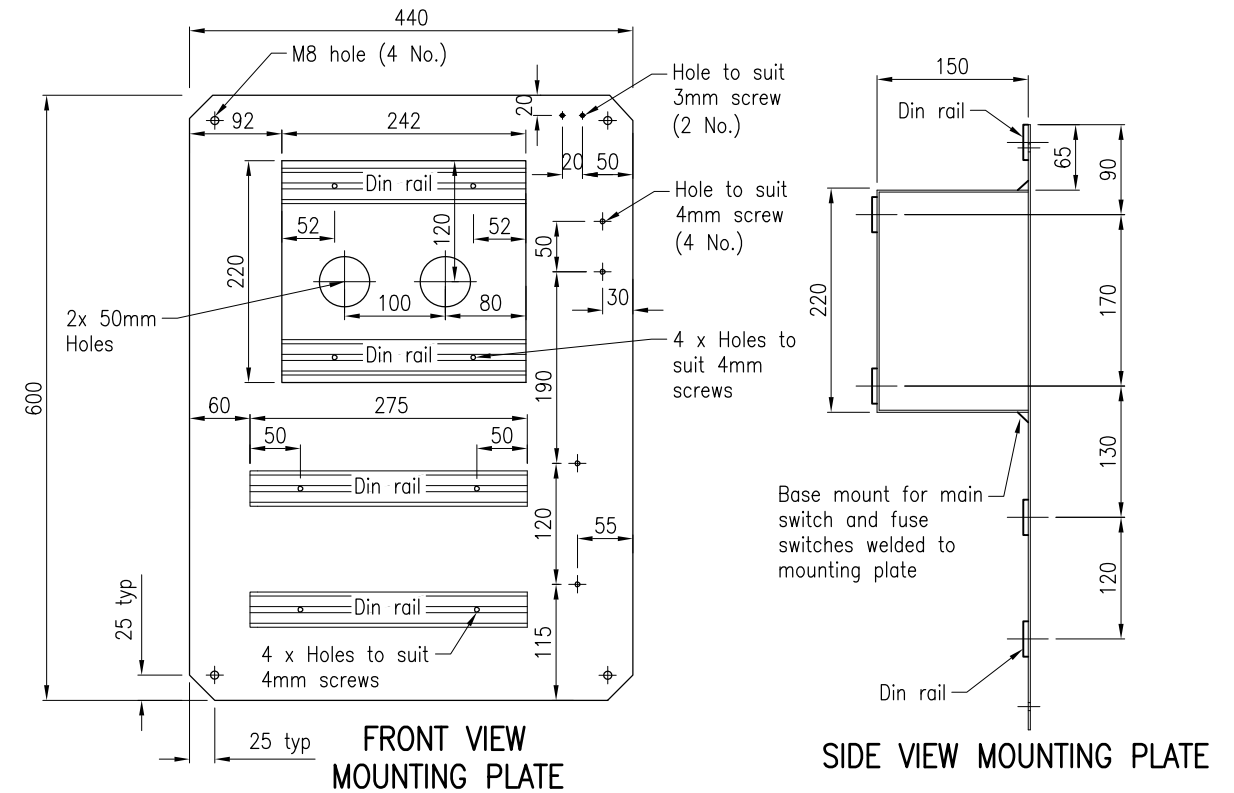
INSIDE BACK OF ENCLOSURE



REAR VIEW DOOR LAYOUT



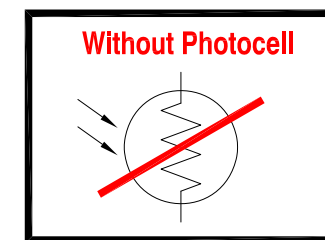
REAR VIEW ESCUTCHEON



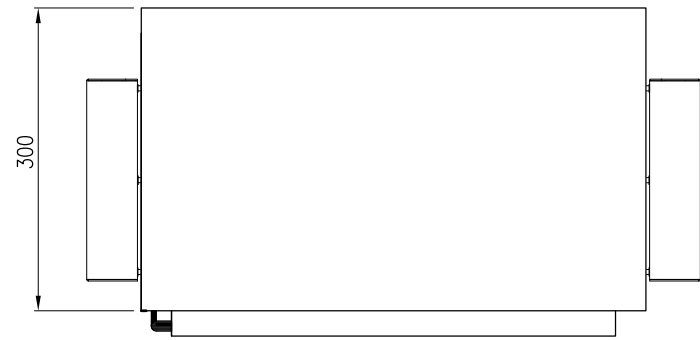
FRONT VIEW MOUNTING PLATE

SIDE VIEW MOUNTING PLATE

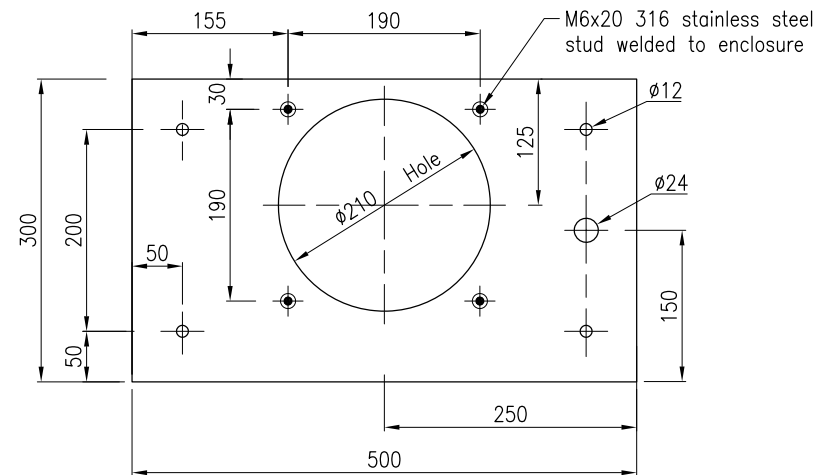
SWITCHBOARD ASSEMBLY DETAILS WITHOUT PHOTOELECTRIC CELL CONTROL



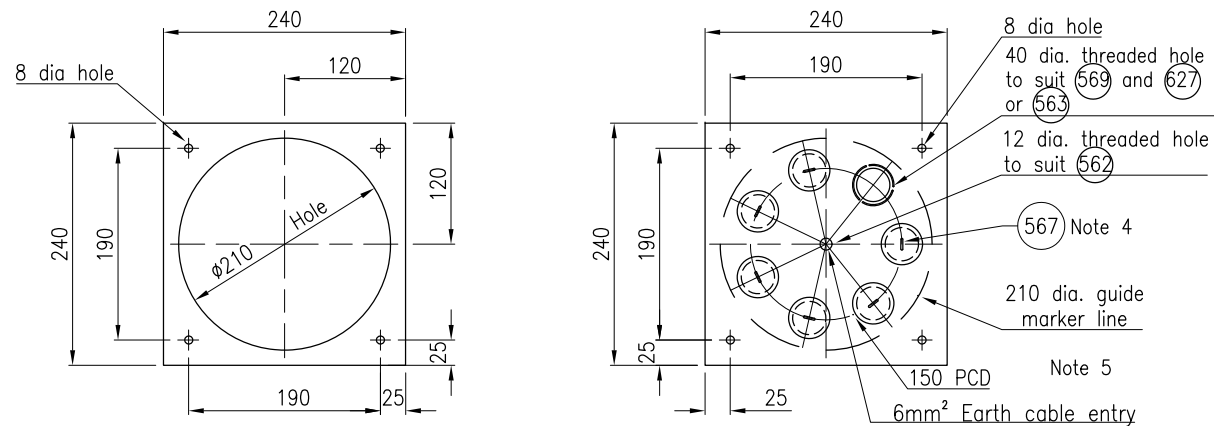
Department of Transport and Main Roads			
ROAD LIGHTING			
SWITCHBOARD ASSEMBLY DETAILS		A3	Standard Drawing No
SHEET 2 OF 6		Not to Scale	1686
			Date 3/2021



TOP VIEW OF ENCLOSURE

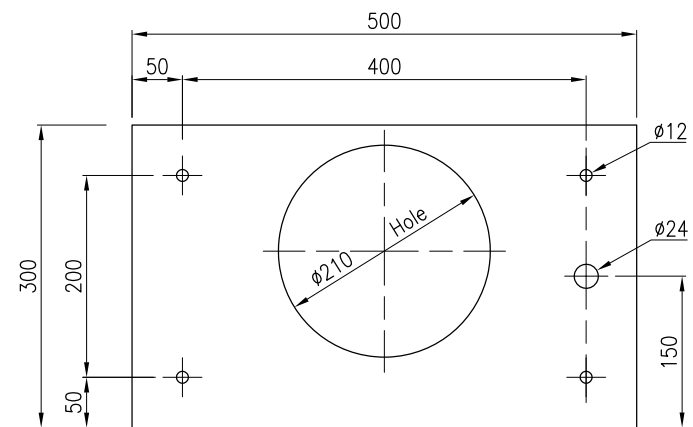


SECTION C 2
WITHOUT GLAND PLATE



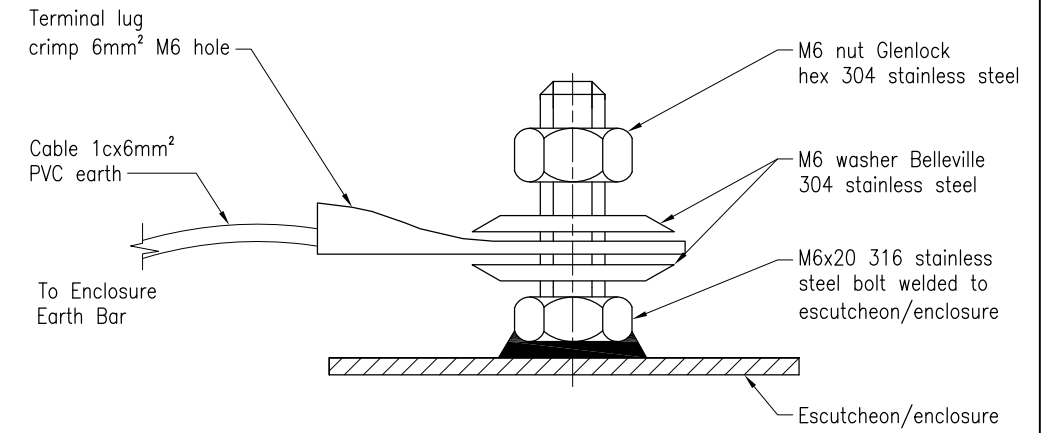
GLAND PLATE GASKET

GLAND PLATE

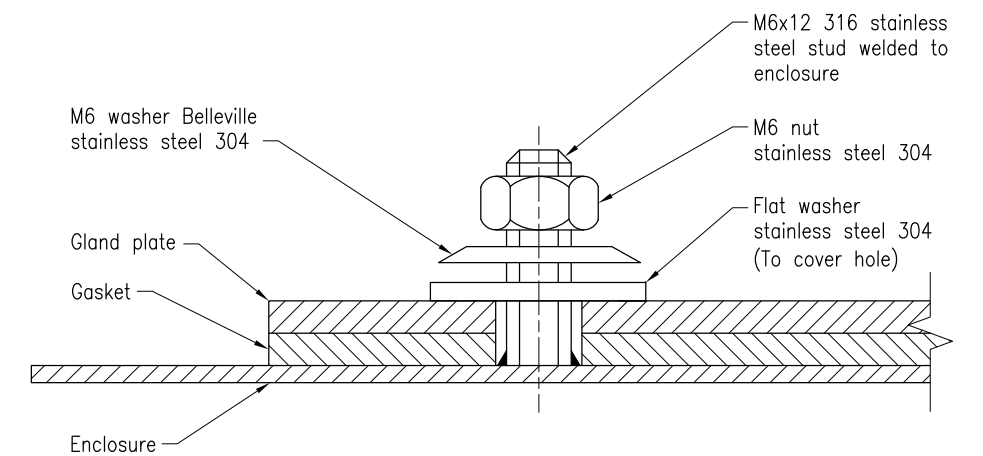


SWITCHBOARD GASKET

SWITCHBOARD ASSEMBLY DETAILS WITHOUT PHOTOELECTRIC CELL CONTROL



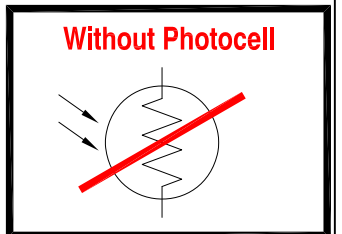
ASSEMBLY SEQUENCE FOR
ESCUTCHEON/ENCLOSURE EARTH



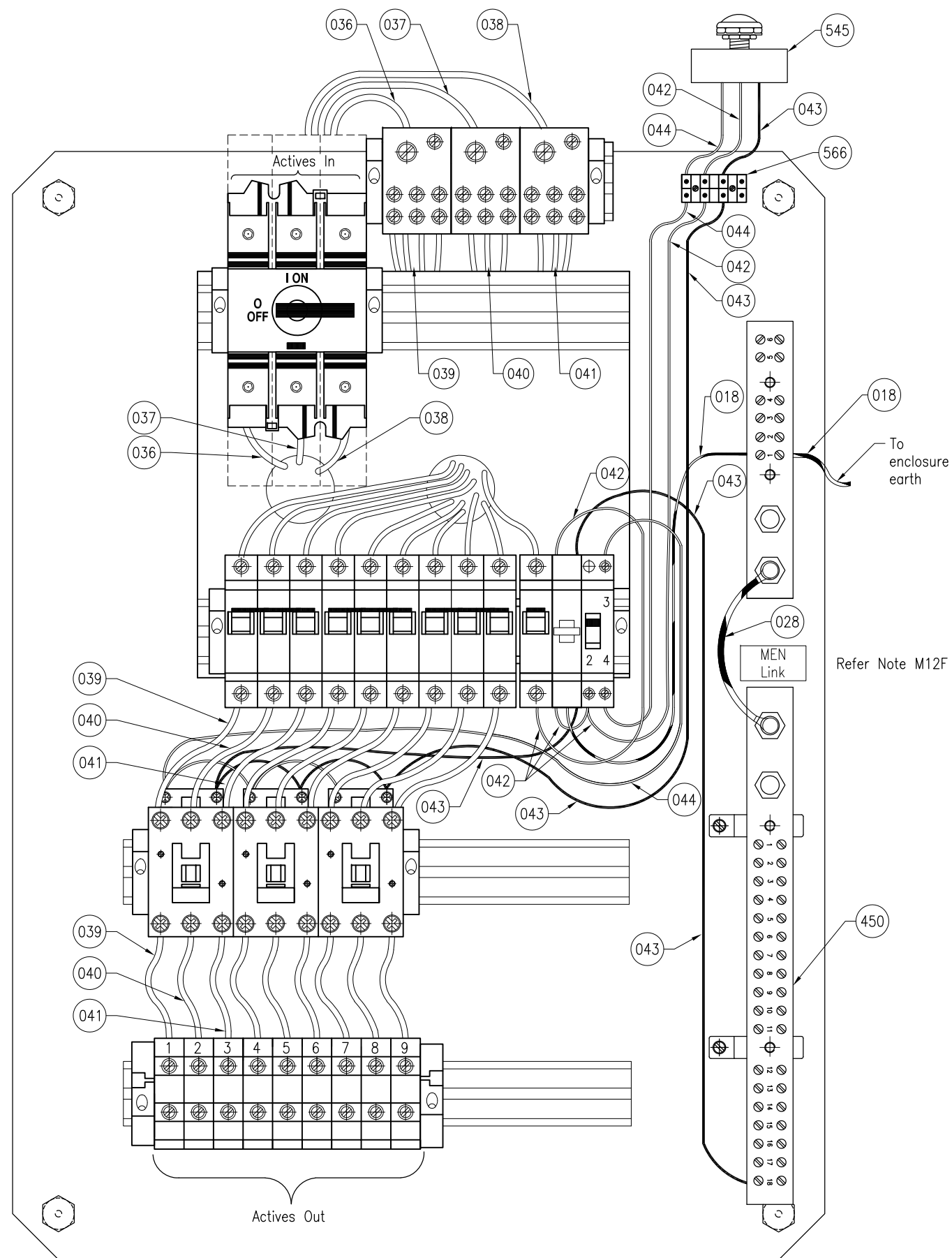
FIXING OF GLAND
PLATE

PE NOTES:

1. Tension the brass nut to 13-14 Nm after all parts of mount are assembled.
2. Screw photocell (part 545 - standard drawing 1699) into PE cell mount until snug and the inner o-ring is compressed sufficiently to be water-tight.
3. Dimensions are in millimetres unless shown otherwise.
4. All Cable entry points to be capped.
5. Contractor to ensure correct glands/reducers are ordered from switchboard suppliers.



Department of Transport and Main Roads				© The State of Queensland (Department of Transport and Main Roads) 2021 http://creativecommons.org/licenses/by/4.0/	
ROAD LIGHTING				A3	Standard Drawing No
SWITCHBOARD ASSEMBLY DETAILS		Not to Scale	1686		Date 3/2021
SHEET 3 OF 6		A	B	C	D



SWITCHBOARD WIRING LAYOUT
WITH PHOTOELECTRIC CELL CONTROL

MATERIAL NOTES:

- M1. Mounting plate : 2mm stainless steel 316
- M2. Main Switch and Fuse switches Mount : 1.5mm stainless steel 316
- M3. Enclosure : 1.5mm stainless steel 316, orbital finish
- M4. Escutcheon : 2mm stainless steel 316
- M5. Door seal : Polyurethane Gasket Foamed In place
- M6. Switchboard Gasket : 3mm thick UV stabilised polyurethane
- M7. Hinges : Chrome Plated Brass Pintle Hinge
- M8. Gland plate : 5mm thick Aluminium
- M9. Gland plate Gasket : 3mm thick UV stabilised polyurethane
- M10. Enclosure Rating : IP55
- M11. Din Rail TS35-7.5 passivated steel
- M12. Labels

ID	Description	Colour	Font
A	DANGER 415 VOLTS	White Traffolyte with red letters	5mm Arial font
B	MAIN SWITCH	White Traffolyte with black letters	5mm Arial font
C	WARNING – MAIN SWITCH IS NOT INTERLOCKED TO DOOR	White Traffolyte with red letters	5mm Arial font
D	LIGHTING CONTACTORS BEHIND	White Traffolyte with black letters	5mm Arial font
E	MEN LINK BEHIND	White Traffolyte with black letters	5mm Arial font
F	MEN LINK	White Traffolyte with black letters	5mm Arial font
G	EARTH ELECTRODE IN ADJACENT EARTH PIT	White Traffolyte with black letters	5mm Arial font
H	(other labels)	White Traffolyte with black letters	3mm Arial font

NOTES:

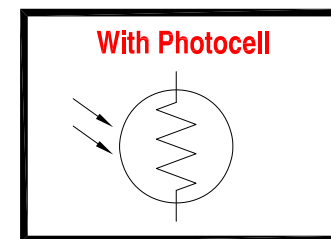
- 1. Dimensions are in millimetres unless shown otherwise.
- ASSOCIATED DEPARTMENTAL DOCUMENTS:
- Standard Drawings
 - Specifications
 - Traffic and Road Use Management Manual (TRUM)
 - Volume 4 Part 3 Electrical Design for Roadside Devices

REFERENCED DOCUMENTS:

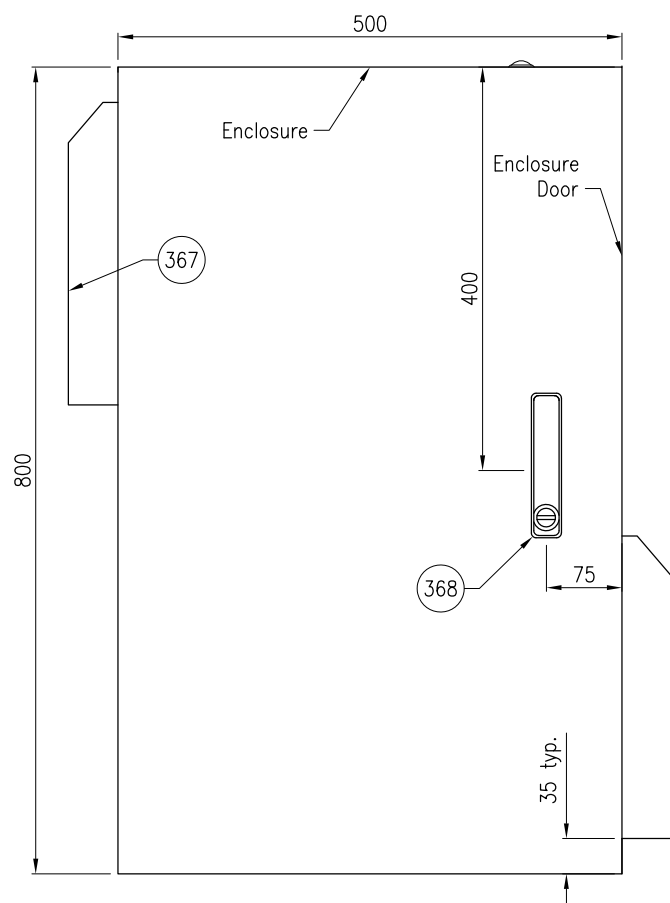
- Departmental Standard Drawings:
- 1623 Road Lighting – Switchboard Typical Layout and Circuit Diagram MEN System
 - 1627 Road Lighting – Switchboard Top Mounted
 - 1628 Road Lighting – Post – Top Mounted Switchboard
 - 1699 Traffic Signals/Road Lighting/ITS – Parts List
- Departmental Standard Specifications:
- MRTS210 Provision of Mains Power
 - MRTS228 Electrical Switchboards
 - MRTS256 Power Cables

Australian Standards:

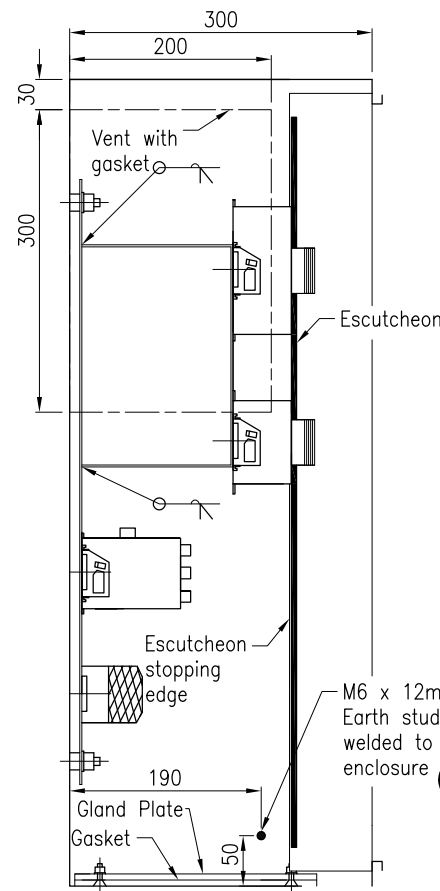
- AS/NZS 3000 Electrical Installations (Wiring Rules)



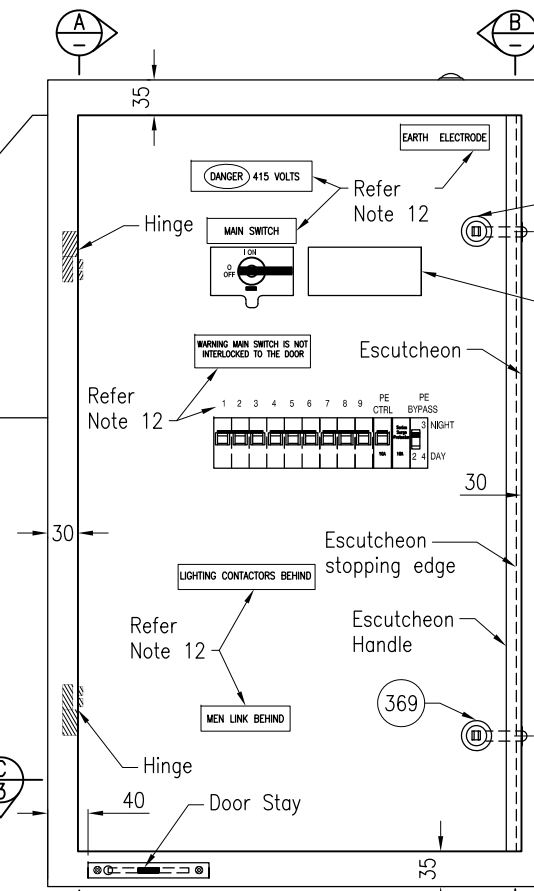
Department of Transport and Main Roads			
ROAD LIGHTING			
SWITCHBOARD ASSEMBLY DETAILS		Standard Drawing No 1686 Date 3/2021	
SHEET 4 OF 6			
A3	Not to Scale		



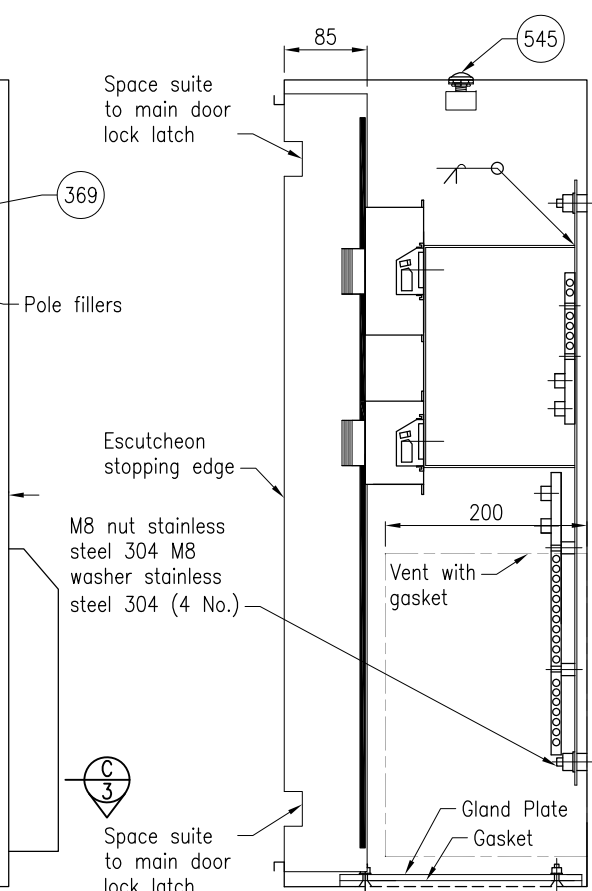
FRONT VIEW DOOR LAYOUT



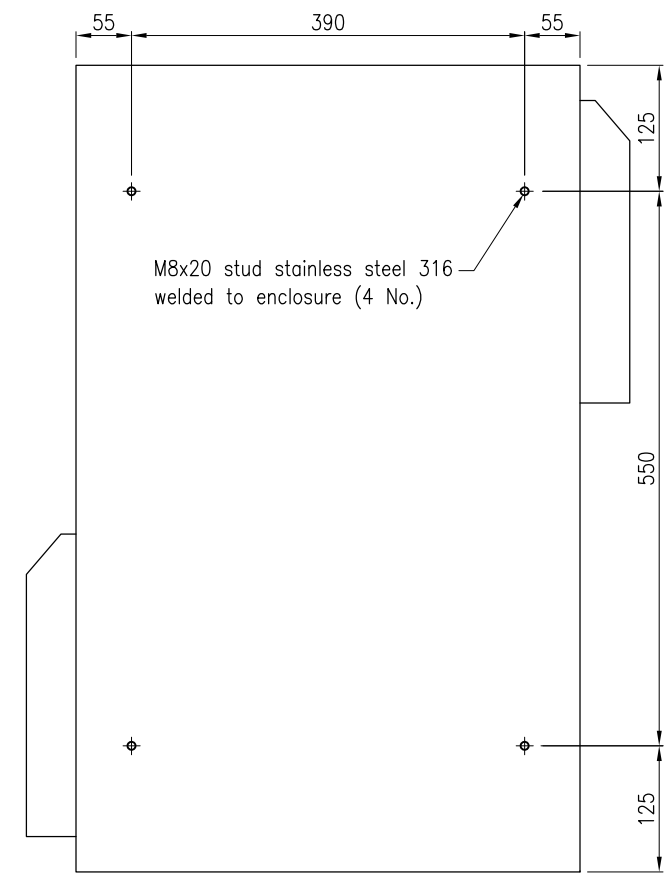
SECTION A



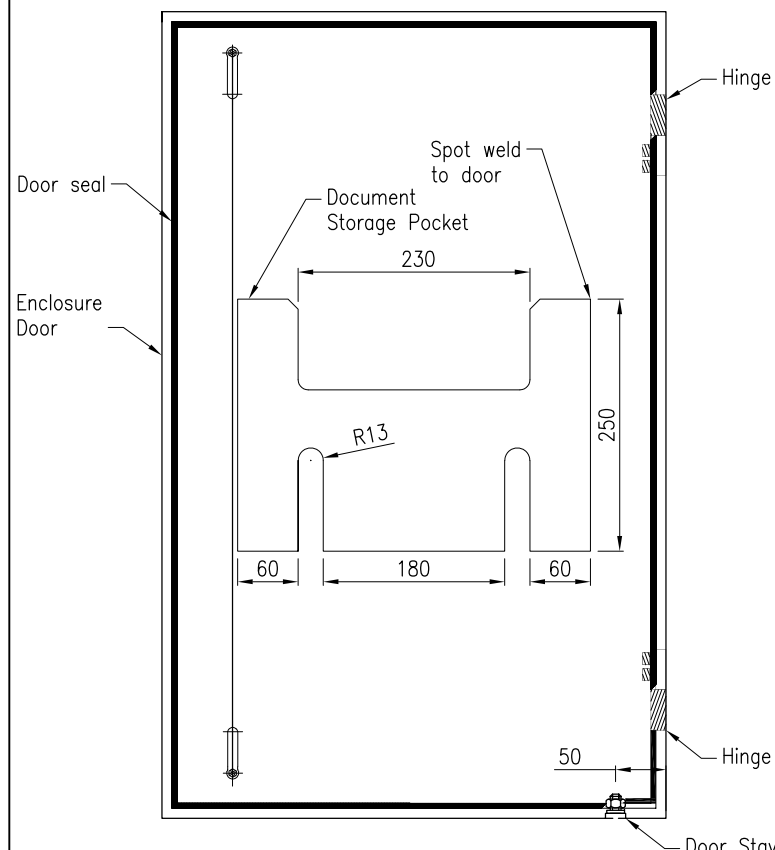
FRONT VIEW ESCUTCHEON DOOR REMOVED



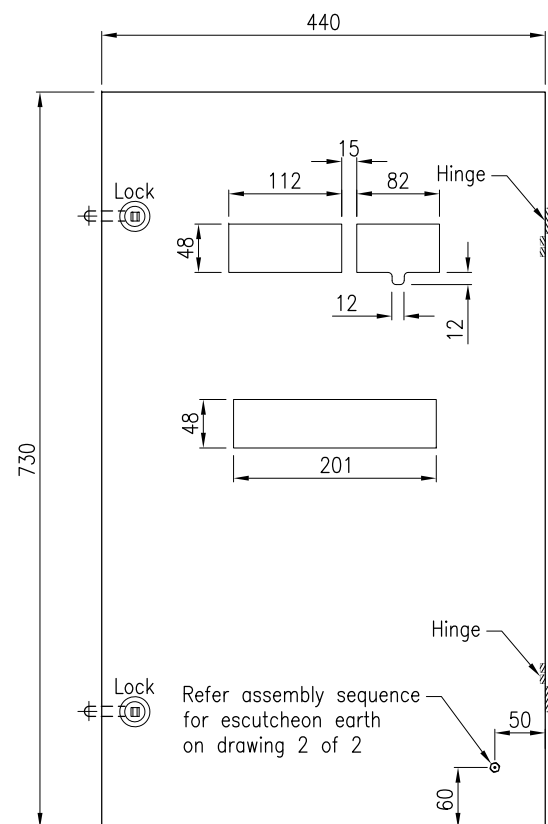
SECTION B



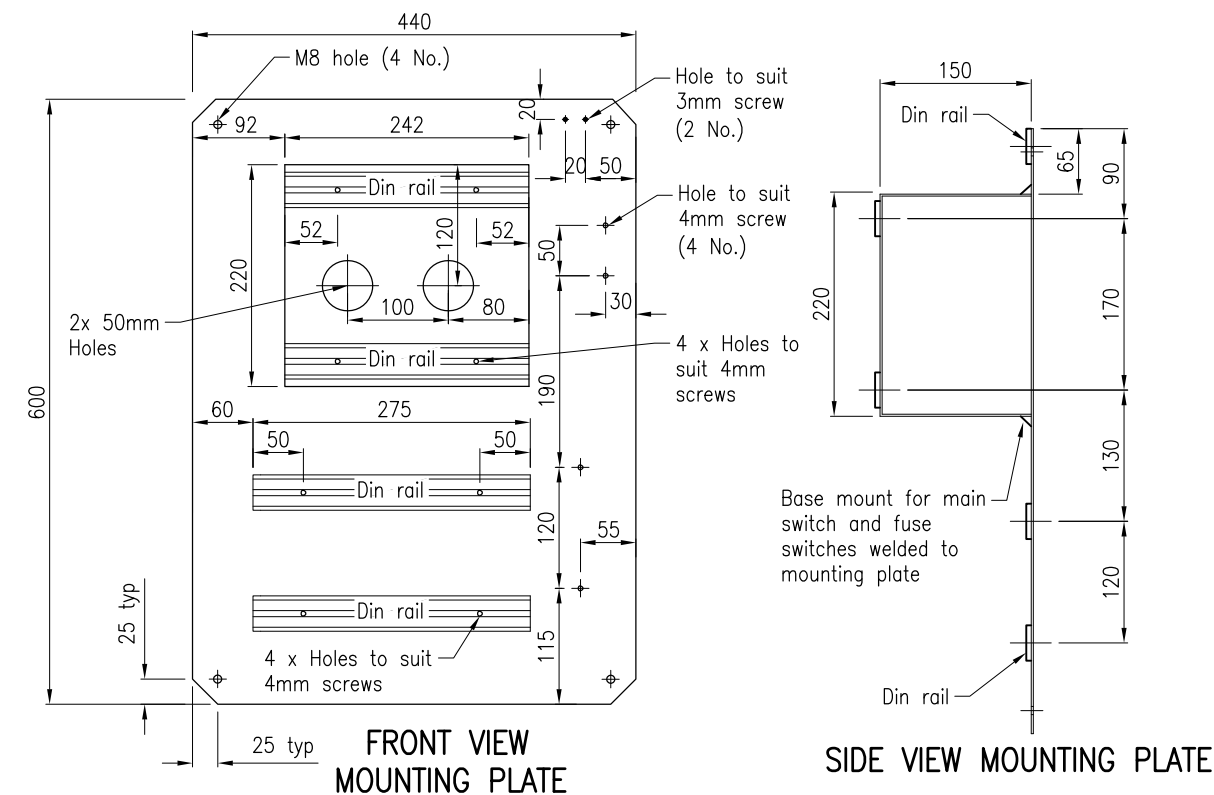
INSIDE BACK OF ENCLOSURE



REAR VIEW DOOR LAYOUT



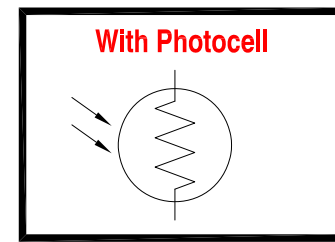
REAR VIEW ESCUTCHEON



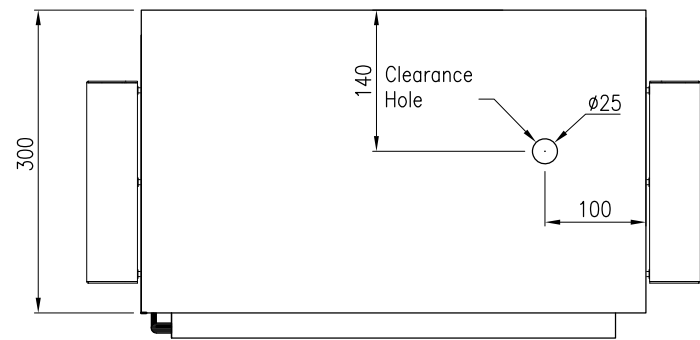
FRONT VIEW MOUNTING PLATE

SIDE VIEW MOUNTING PLATE

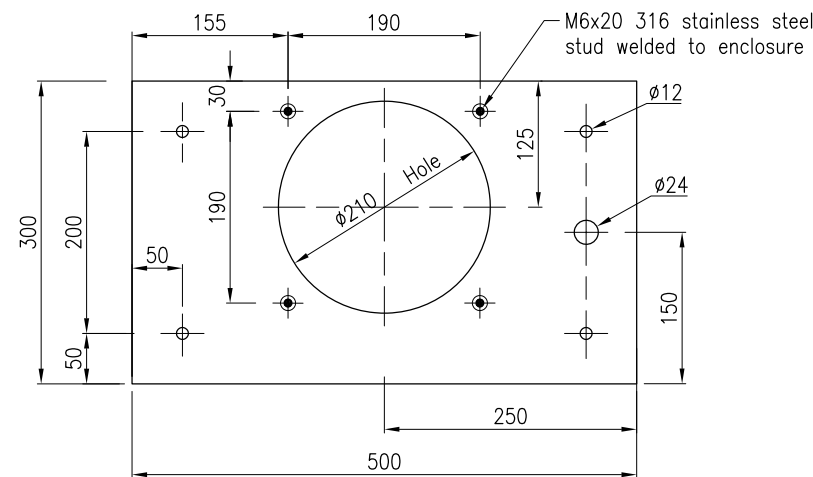
SWITCHBOARD ASSEMBLY DETAILS WITH PHOTOELECTRIC CELL CONTROL



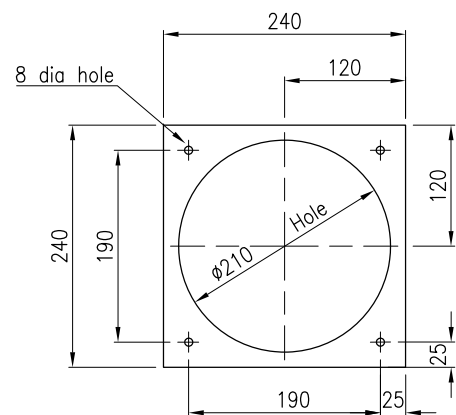
Department of Transport and Main Roads			
ROAD LIGHTING			
SWITCHBOARD ASSEMBLY DETAILS		A3	Standard Drawing No
SHEET 5 OF 6		Not to Scale	1686
			Date 3/2021



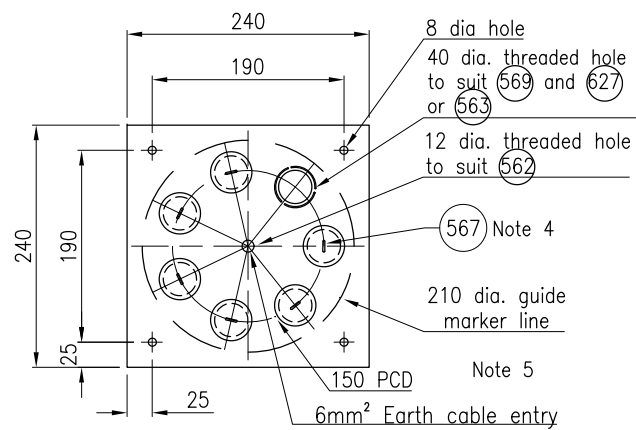
TOP VIEW OF ENCLOSURE



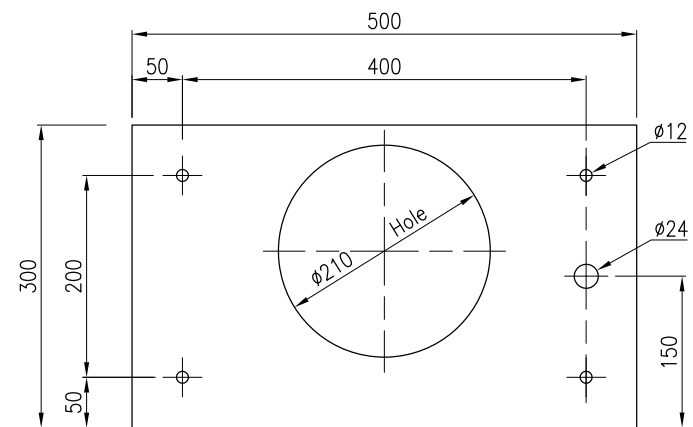
SECTION C
WITHOUT GLAND PLATE



GLAND PLATE GASKET

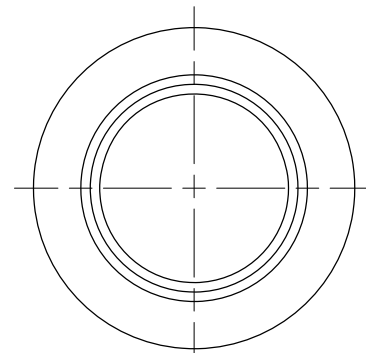


GLAND PLATE

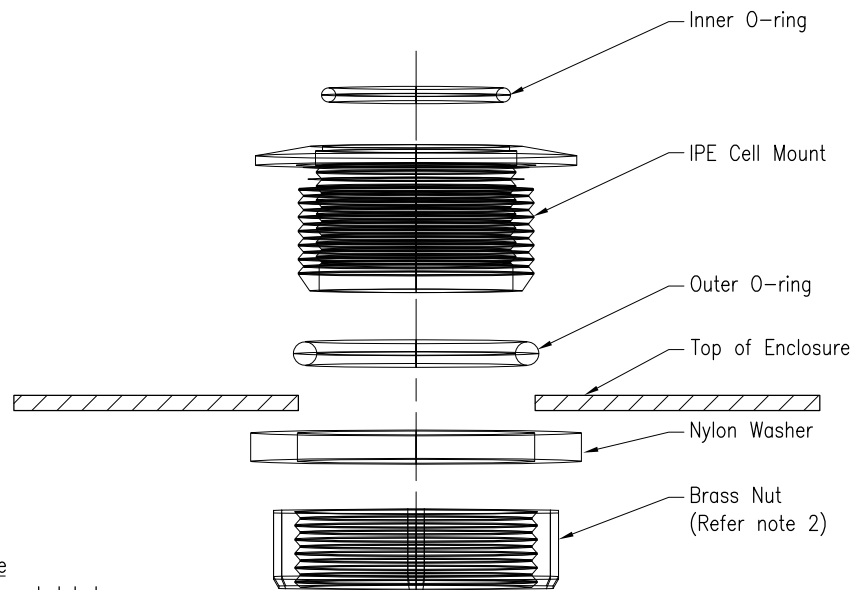


SWITCHBOARD GASKET

SWITCHBOARD ASSEMBLY DETAILS WITH PHOTOELECTRIC CELL CONTROL

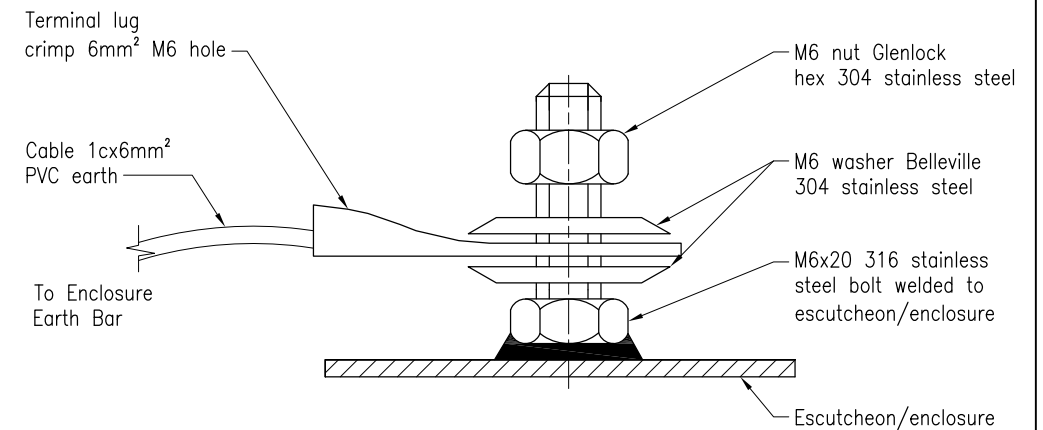


TOP VIEW

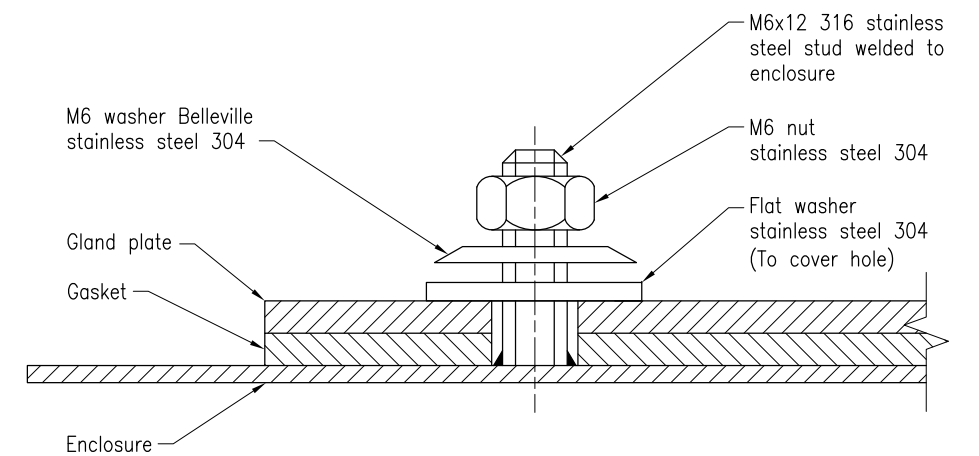


FRONT VIEW

ASSEMBLY SEQUENCE FOR PHOTO ELECTRIC (PE) CELL MOUNT (Refer Notes 1 and 2) 557



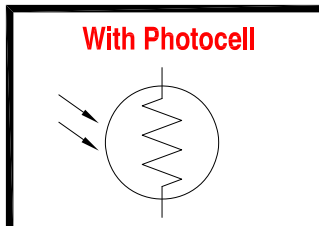
ASSEMBLY SEQUENCE FOR ESCUTCHEON/ENCLOSURE EARTH



FIXING OF GLAND PLATE

PE NOTES:

1. Tension the brass nut to 13–14Nm after all parts of mount are assembled.
2. Screw photocell (part 545 – standard drawing 1699) into PE cell mount until snug and the inner o-ring is compressed sufficiently to be water tight.
3. Dimensions are in millimetres unless shown otherwise.
4. All Cable entry points to be capped.
5. Contractor to ensure correct glands/reducers are ordered from switchboard suppliers.



Department of Transport and Main Roads				© The State of Queensland (Department of Transport and Main Roads) 2021 http://creativecommons.org/licenses/by/4.0/	
ROAD LIGHTING				A3	Standard Drawing No
SWITCHBOARD ASSEMBLY DETAILS		Not to Scale	1686		Date 3/2021
SHEET 6 OF 6					