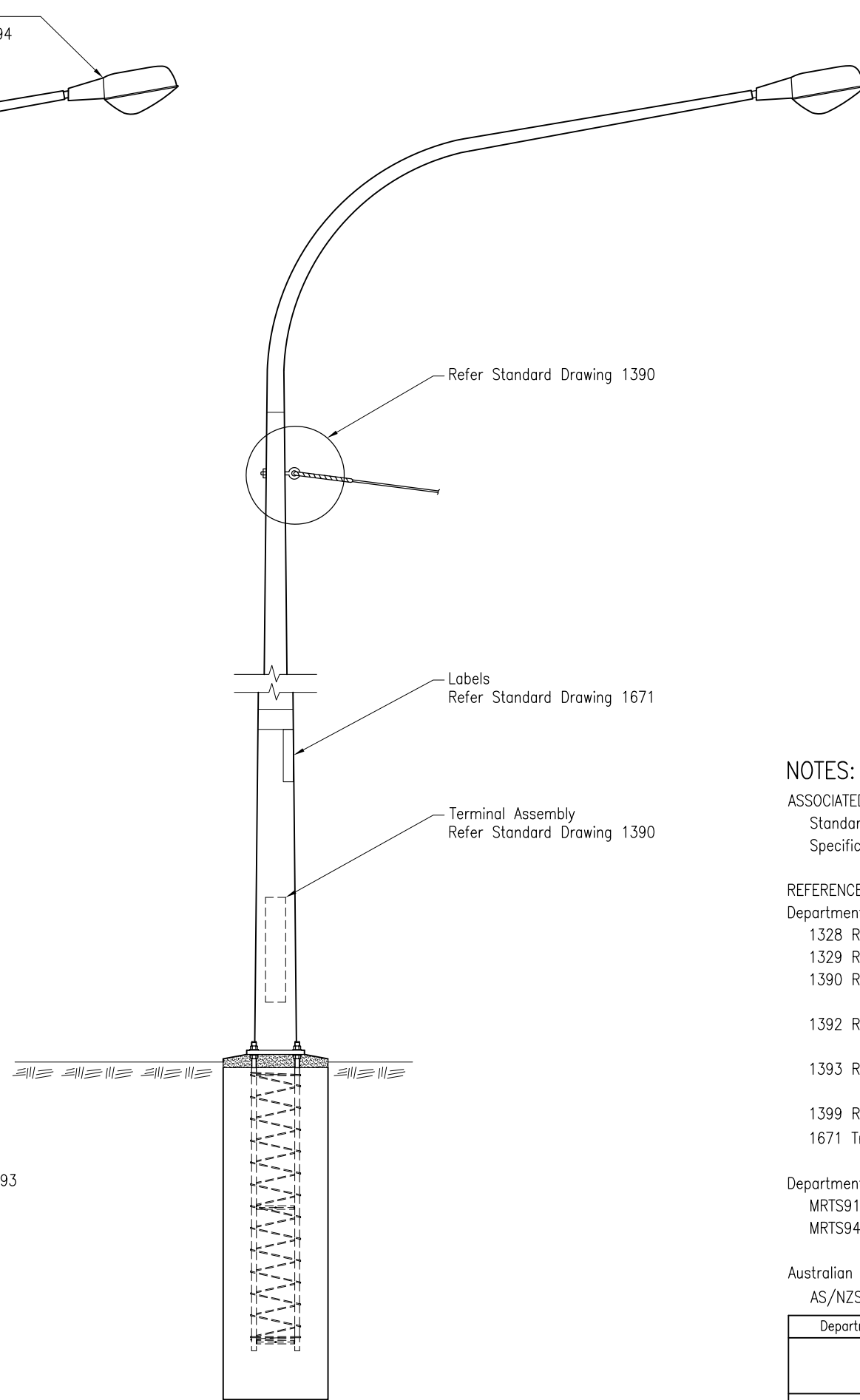


UNDERGROUND POWER SUPPLY



AERIAL POWER SUPPLY

NOTES:

ASSOCIATED DEPARTMENTAL DOCUMENTS:
Standard Drawings
Specifications

REFERENCED DOCUMENTS:

- Departmental Standard Drawings:
- 1328 Road Lighting – Anchor Cage Fabrication Details
 - 1329 Road Lighting – Typical Physical Arrangement
 - 1390 Road Lighting – Base Plate Mounted Pole Aerial Connection Wiring Details
 - 1392 Road Lighting – Base Plate Mounted Pole and Footing Installation Details for Crossfalls up to and including 1:2
 - 1393 Road Lighting – Base Plate Mounted Pole and Footing Installation Details for Crossfalls greater than 1:2
 - 1399 Road Lighting – Base Plate Mounted Pole Wiring Details
 - 1671 Traffic Signals/Road Lighting – Road Lighting Labels Installation

Departmental Specifications:

- MRTS91 Conduits and Pits
- MRTS94 Road Lighting

Australian Standards:

AS/NZS 3000 Electrical Installations (Wiring Rules)

Department of Transport and Main Roads				<small>© The State of Queensland (Department of Transport and Main Roads) 2015 http://creativecommons.org/licenses/by/3.0/au </small>	
ROAD LIGHTING				Standard Drawing No 1371	
BASE PLATE MOUNTED POLE		A3	Date 4/15		
		Not to Scale	A	B	C