

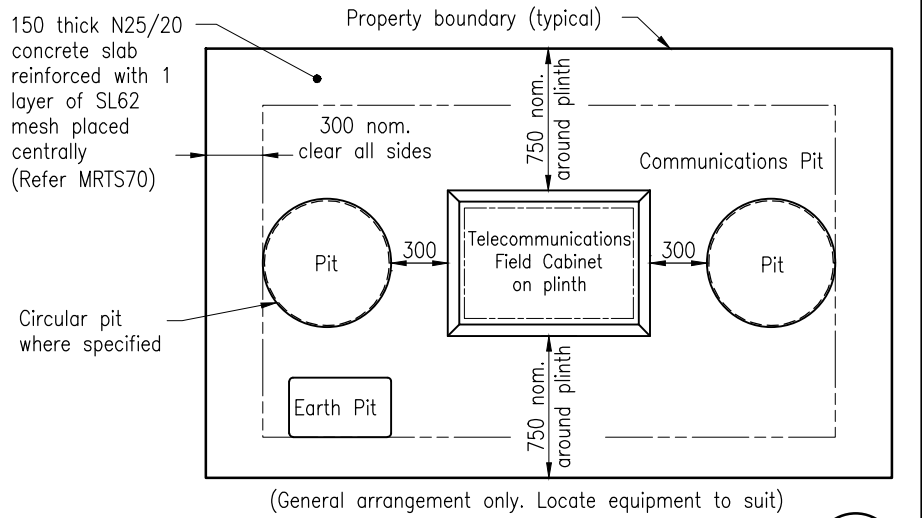
INSTALLATION OF CONDUITS AND PITS IS THE RESPONSIBILITY OF THE LICENSED ELECTRICAL CONTRACTOR

ASSOCIATED DEPARTMENTAL DOCUMENTS:
 Standard Drawings
 Specifications

REFERENCED DOCUMENTS:
 Departmental Standard Drawings:
 1415 Traffic Signals/Road Lighting – Cable Joining Pit type 60
 1627 Road Lighting – Switchboard Top Mounted
 1689 ITS – Switchboard Typical Layout and Circuit Diagram MEN System
 1699 Traffic Signals/Road Lighting/ITS – Parts List indicated as (XXX)

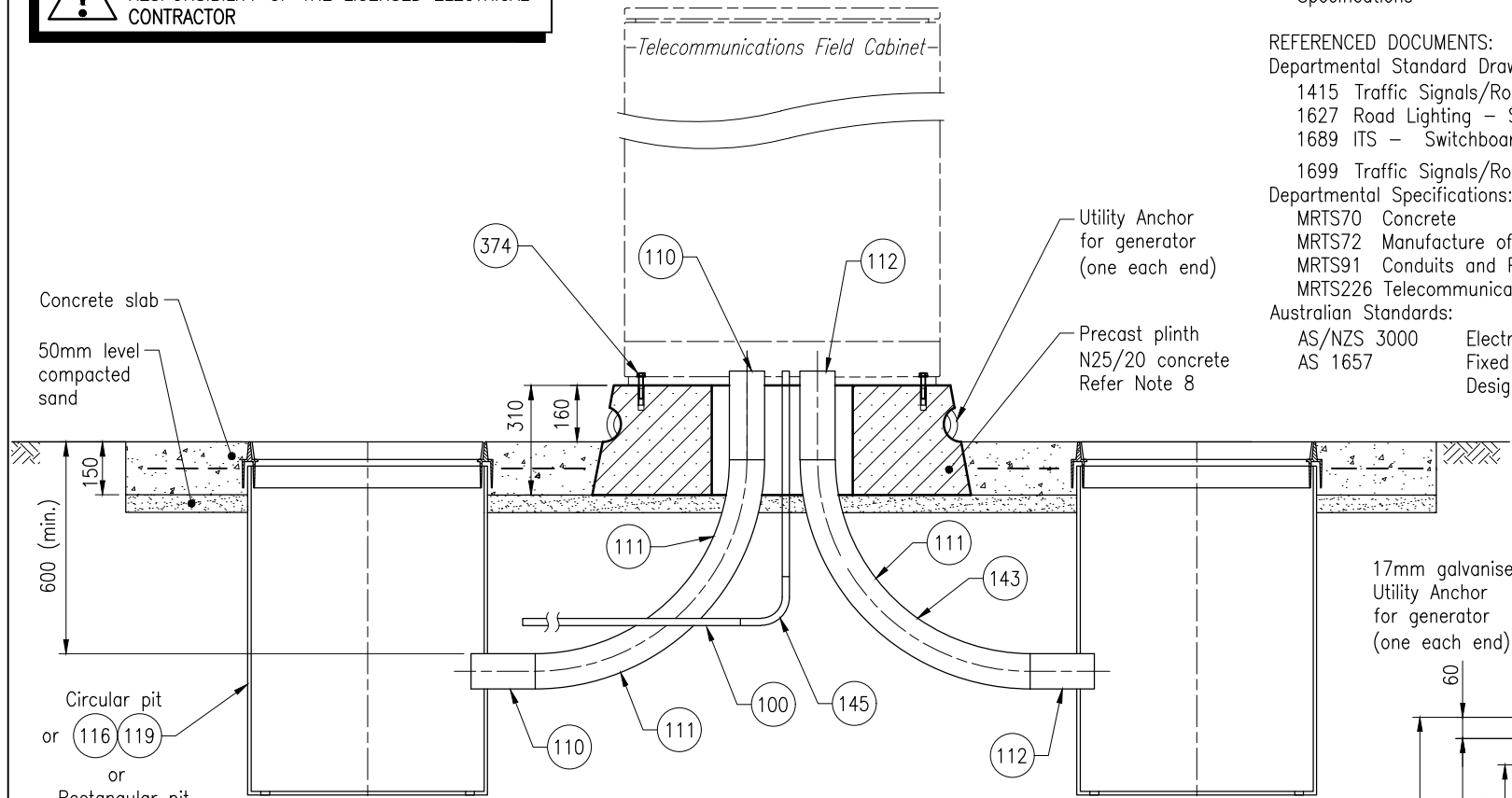
Departmental Specifications:
 MRTS70 Concrete
 MRTS72 Manufacture of Precast Concrete Elements
 MRTS91 Conduits and Pits
 MRTS226 Telecommunications Field Cabinets

Australian Standards:
 AS/NZS 3000 Electrical Installations (Wiring Rules)
 AS 1657 Fixed Platforms, Walkways, Stairways and Ladders – Design, Construction and Installation

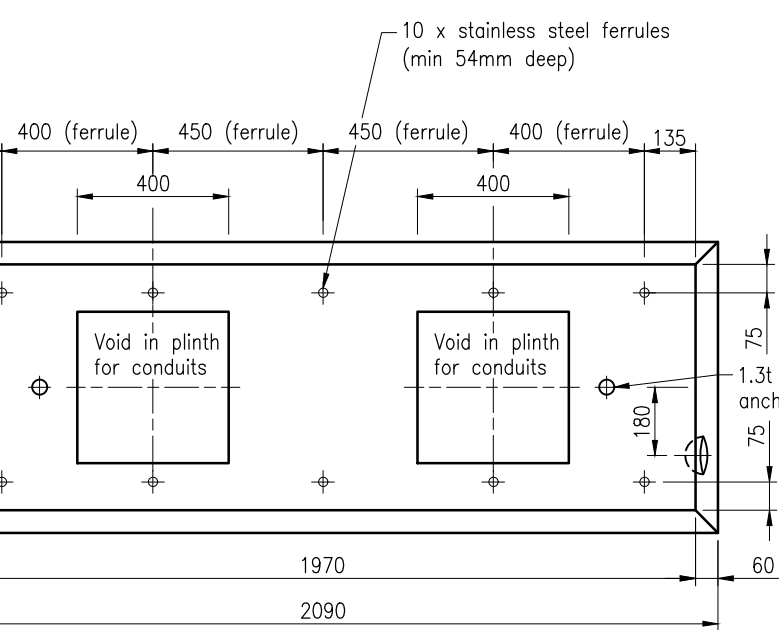
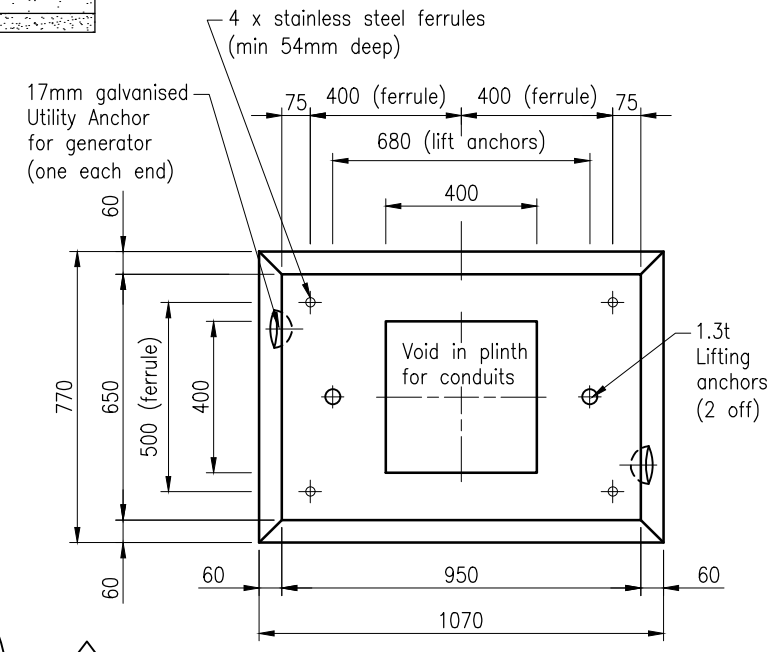


DETAIL 2
 TYPICAL SLAB LAYOUT

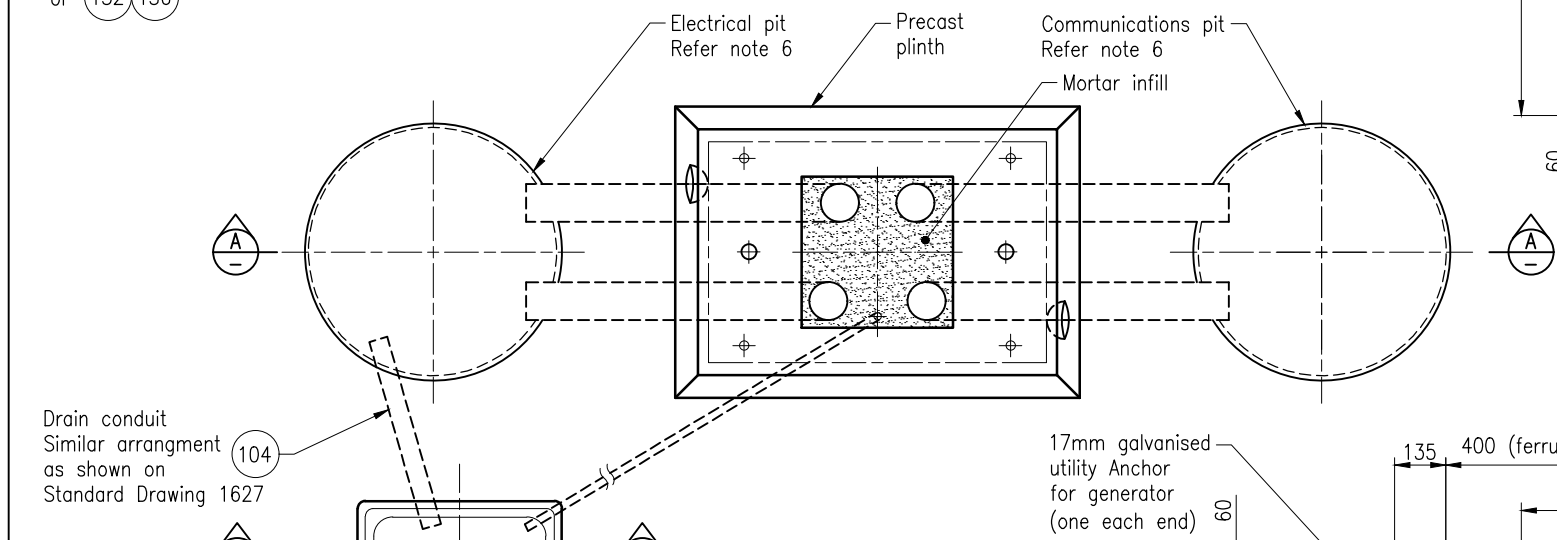
- NOTES:**
- Telecommunications Field Cabinet shall wherever possible be located adjacent to the property boundary.
 - (a) Ensure there are no underground services in the vicinity prior to installing earth electrode.
 (b) Earth pits shall be minimum of 3m apart.
 (c) The earth electrode must be driven no less than 1300mm vertically into the ground, leaving a minimum 150mm exposed length of the electrode in the base of the pit. (426) and (427) shall be approved only.
 - (d) Earth rods are not to be cut under any circumstances. In difficult soils, dig out the appropriate P3 pit size, auger a 75mm hole vertically to 1300mm, install the earth electrode in the centre of the hole, fill the auger hole with LSI RESLO or equivalent, then install the pit over the earth electrode.
 - (e) Only one earth electrode connected to one main earth conductor permitted in one earth pit.
 - (f) For existing no.7 pit and pits of greater depth, a 1.8m earth stake is to be used, where it is not viable to install a separate adjacent dedicated earth P3 pit with a new 1.5m earth stake.
 - (g) Attach a permanent label to the main earthing conductor at the connection to the earth electrode stating: "WARNING: MAIN ELECTRICAL EARTHING CONDUCTOR – DO NOT DISCONNECT"
 - Install draw wire in communications conduit.
 - Pits may be located differently in relation to Telecommunications Field Cabinet to suit Mains Power and Communications requirements.
 - All exposed concrete edges to have a 15mm chamfer or fillet.
 - Optional rectangular pit where specified.
 - Attach a permanent label in the switchboard stating: "EARTH ELECTRODE IN ADJACENT EARTH PIT"
 - For installation in flood prone areas, height of precast plinth may be higher to suit; or, an extension plinth from a registered supplier, as per MRTS72: 'Manufacture of Precast Concrete Elements', may be used with the approval of the Principal.
 - If the extended plinth is higher than 310mm, stairs shall be provided to AS 1657: 'Fixed Platforms, Walkways, Stairways and Ladders – Design, Construction and Installation',
 - Dimensions are in millimetres unless shown otherwise.



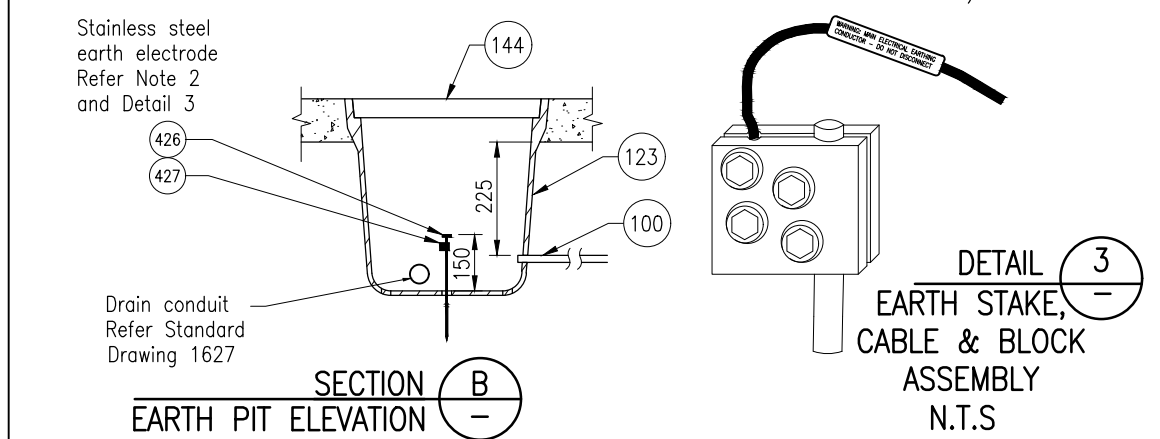
SECTION A



DETAIL 1
 PRECAST CONCRETE PLINTH



INSTALLATION LAYOUT PLAN
 (Single base precast concrete plinth shown, double base similar)



Department of Transport and Main Roads		 <small>© The State of Queensland (Department of Transport and Main Roads) 2023 https://creativecommons.org/licenses/by/4.0/</small>	
ITS			
TELECOMMUNICATIONS FIELD CABINET BASE INSTALLATION DETAILS		A3 Not to Scale	Standard Drawing No 1679 Date 7/2023
B	C	D	E
F	G	H	