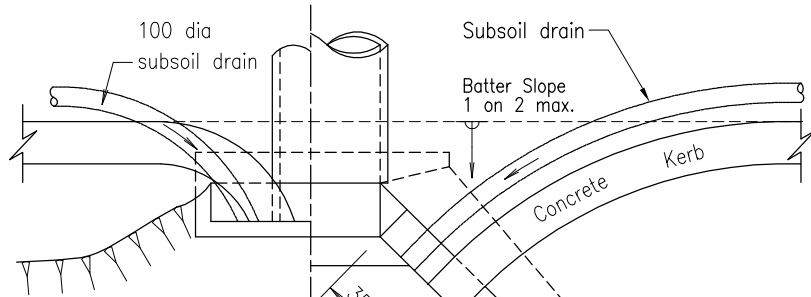
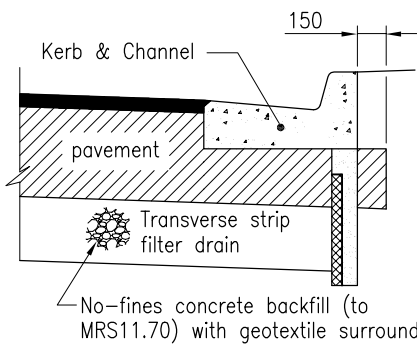
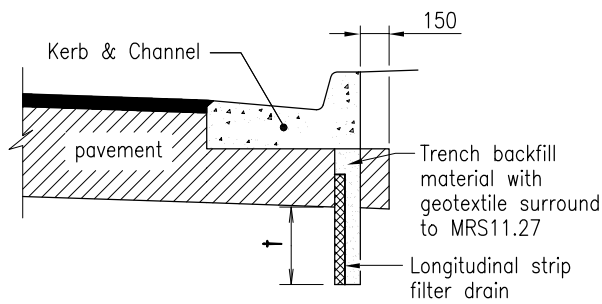


HALF ELEVATIONS

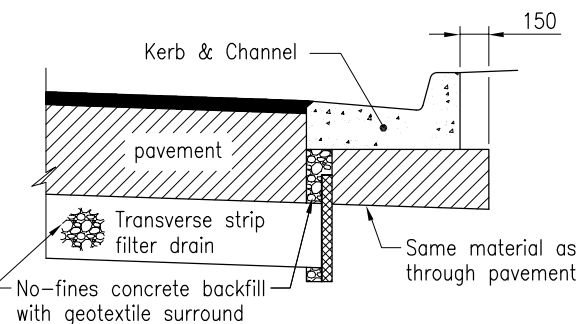
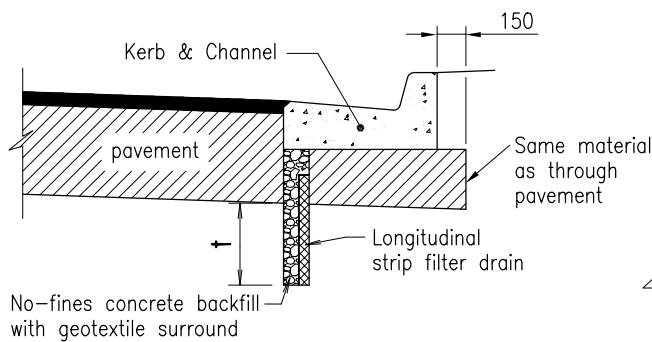


HALF PLANS

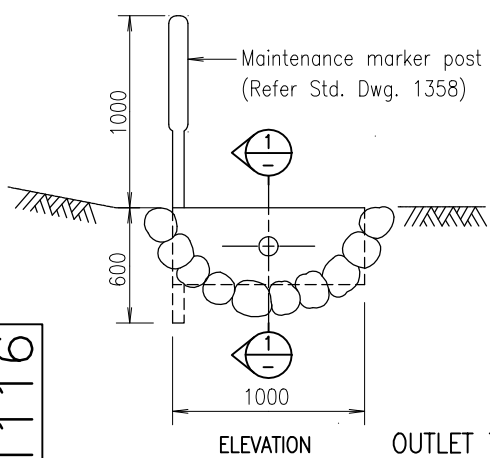
CULVERTS < 675dia → → CULVERTS > 675dia
OUTLET TO CULVERT



TYPE D SUBSOIL DRAINS IN CUTTINGS *

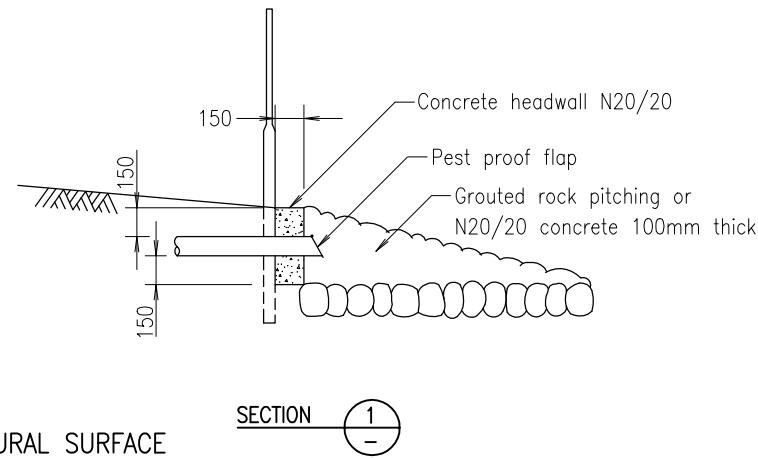


PAVEMENT EDGE TYPE D SUBSOIL DRAINS *

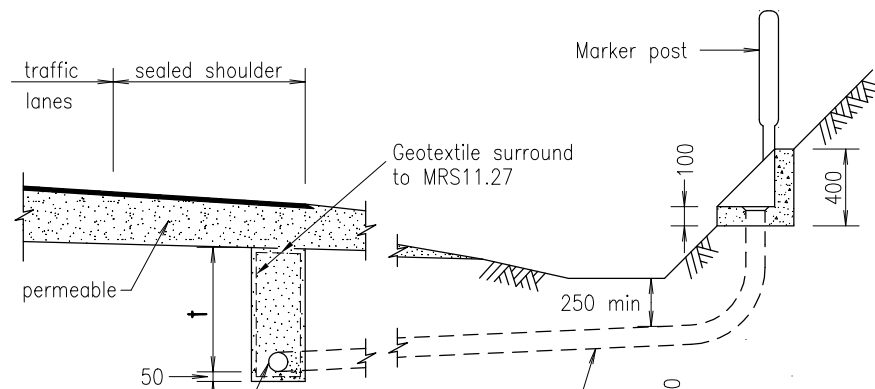


ELEVATION

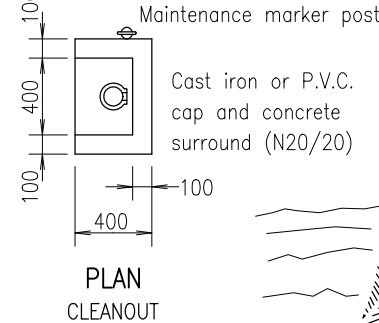
OUTLET TO NATURAL SURFACE



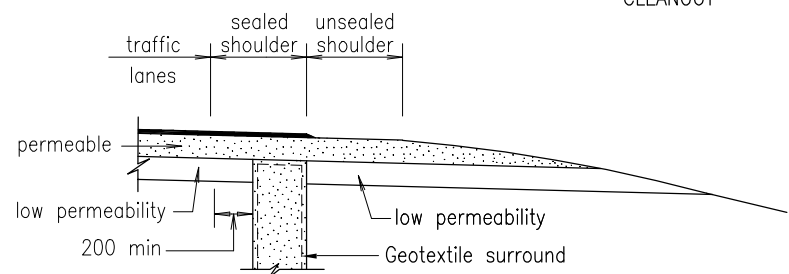
SECTION ①



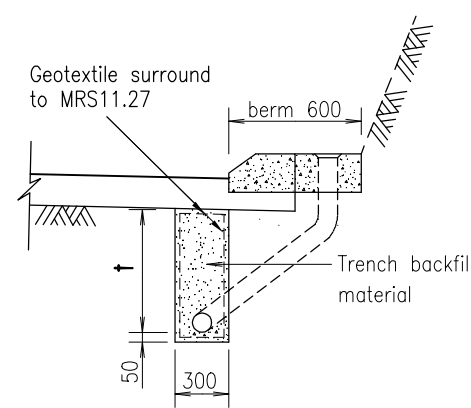
CUTTING CROSS SECTION *
SUBSOIL DRAIN AND CLEANOUT



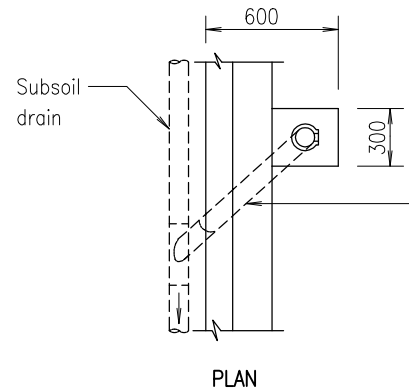
PLAN
CLEANOUT



EMBANKMENT CROSS SECTION *
TYPE B SUBSOIL DRAIN - UNKERBED SHOULDERS

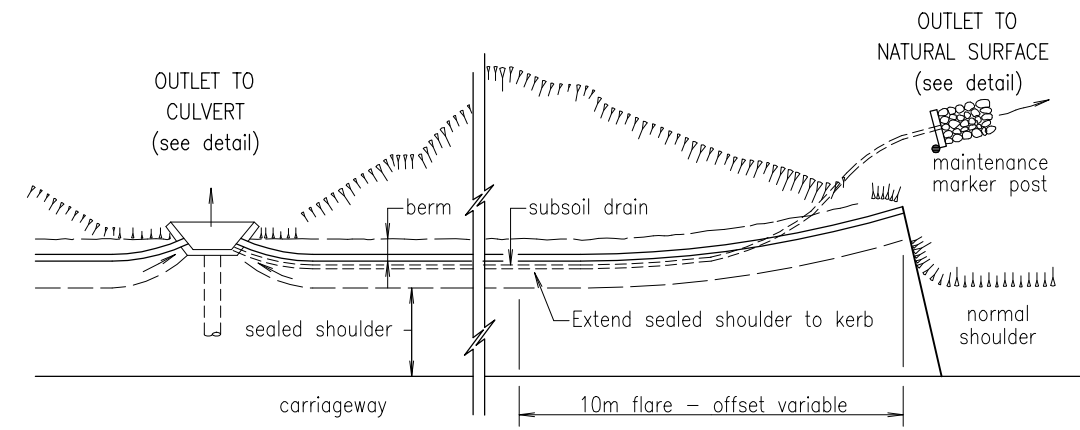


CROSS SECTION *

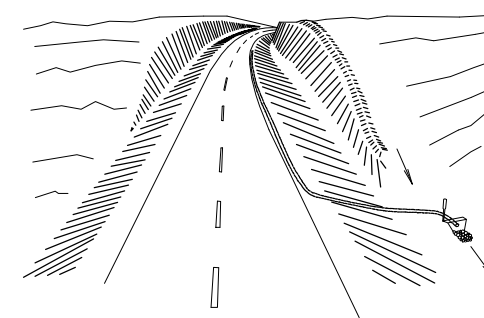


PLAN

TYPE B SUBSOIL DRAIN AND CLEANOUT - KERBED SHOULDER



TYPICAL OUTLET TREATMENTS - KERBED SHOULDER

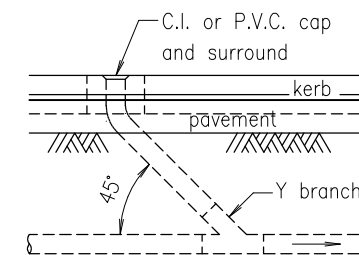


TYPICAL OUTLET TREATMENTS - UNKERBED SHOULDER & TABLE DRAIN

* For position of subsoil drains refer to detail drawings

† As specified in the job documents

No-fines concrete backfill to (MRS11.70) geotextile surround



ELEVATION

NOTES :

- SPECIAL REQUIREMENTS FOR SUBSOIL DRAINS below the pavement are set out in the Department of Main Roads standard specification MRS11.03.
 - PERFORATED DRAINAGE PIPES AND STRIP FILTER DRAINS are to comply with Department of Main Roads standard specification MRS11.03.
 - TRENCH BACKFILL MATERIALS shall comply with standard specification MRS11.03.
 - SUBSOIL DRAIN CLEANOUTS shall be suitably marked using marker posts for easy identification by maintenance personnel.
 - MINIMUM GRADE of subsoil drain is to be 0.5%.
 - KERB AND CHANNEL DETAILS - Refer to Standard Drawing 1033
 - DISCHARGE INTO GULLY PITS/ACCESS CHAMBERS : Where the subsoil drain is discharged into a gully pit/access chamber, the outlet of the subsoil drain shall be located above the level of the obvert of the stormwater pipes/culverts. The subsoil drain outlets shall be provided with pest-proof flaps.
 - DIMENSIONS are in millimetres unless shown otherwise.
- ASSOCIATED DOCUMENTS:
Department of Main Roads Manual of Standard Drawings Roads
Department of Main Roads Manual of Standard Specifications Roads
- REFERENCED DOCUMENTS:
Standard Drawings:
1033 Kerb and Channel - Kerbs, Channels and Ramped Vehicular Crossing
1358 Maintenance Marker Posts - Post and Installation Details
- Standard Specifications:
MRS11.03 Drainage, Retaining Structures and Protective Treatments
MRS11.27 Geotextiles (Separation and Filtration)
MRS11.70 Concrete

SUBSOIL DRAINS



OUTLETS AND CLEANOUTS

Size A3	Drawing No
Scales	1116
as shown	Date 9/02
	A B C D E F

1116