

LEFT SIDE VIEW
DOOR REMOVED

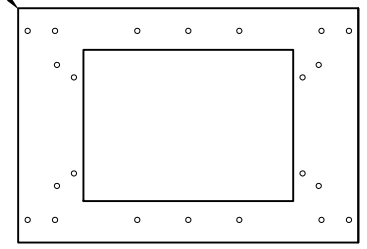
FRONT VIEW
DOOR REMOVED

REAR VIEW
DOOR REMOVED

RIGHT SIDE VIEW
DOOR REMOVED

Sheet Number	Drawing Description
1	Typical Layout
2	Gland Plate Details
3	Battery Shelf Details
4	Power Shelf Details
5	Communications and DVR Shelf Details
6	Bluetooth Enclosure Details
7	LV/ELV Wiring Diagram
8	Data Connections Diagram
9	Equipment and Fuse Schedules
10	Cable Schedule

For plinth details,
Refer Std. Dwg. 1679



PLAN VIEW BASE

NOTES:

1. Label circuits and terminals appropriately.
2. Surge protecting devices shall be installed as specified in MRTS226.
3. MEN link in accordance with AS/NZS 3000.
4. Attach a permanent label to the connection of the main earthing conductor to the earth electrode stating:
"Warning: Main electrical earthing conductor DO NOT DISCONNECT".
5. All power wiring shall be a minimum of 2.5mm² PVC/PVC. For fan and lighting circuits 1.5mm² PVC/PVC is permissible.
6. Designer to ensure discrimination of fuses at the various stages of the installation.
7. The GPO supplied with the cabinet shall be marked "RCD Protected" with green escutcheon cover plate.
8. For concrete plinth and pad installation details refer standard drawings No. 1679 and 1901.
9. Dimensions are in millimetres unless shown otherwise.

REFERENCED DOCUMENTS:

- Departmental Standard Drawings:
 1679 Telecommunications Field Cabinets Base Installation Details
 1901 ITS – Traffic Monitoring Cabinet Base Installation Details

Departmental Standard Specifications:

- MRTS207 Traffic Monitoring Foundation Equipment
- MRTS226 Telecommunications Field Cabinets
- MRTS228 Electrical Switchboards
- MRTS256 Power Cables

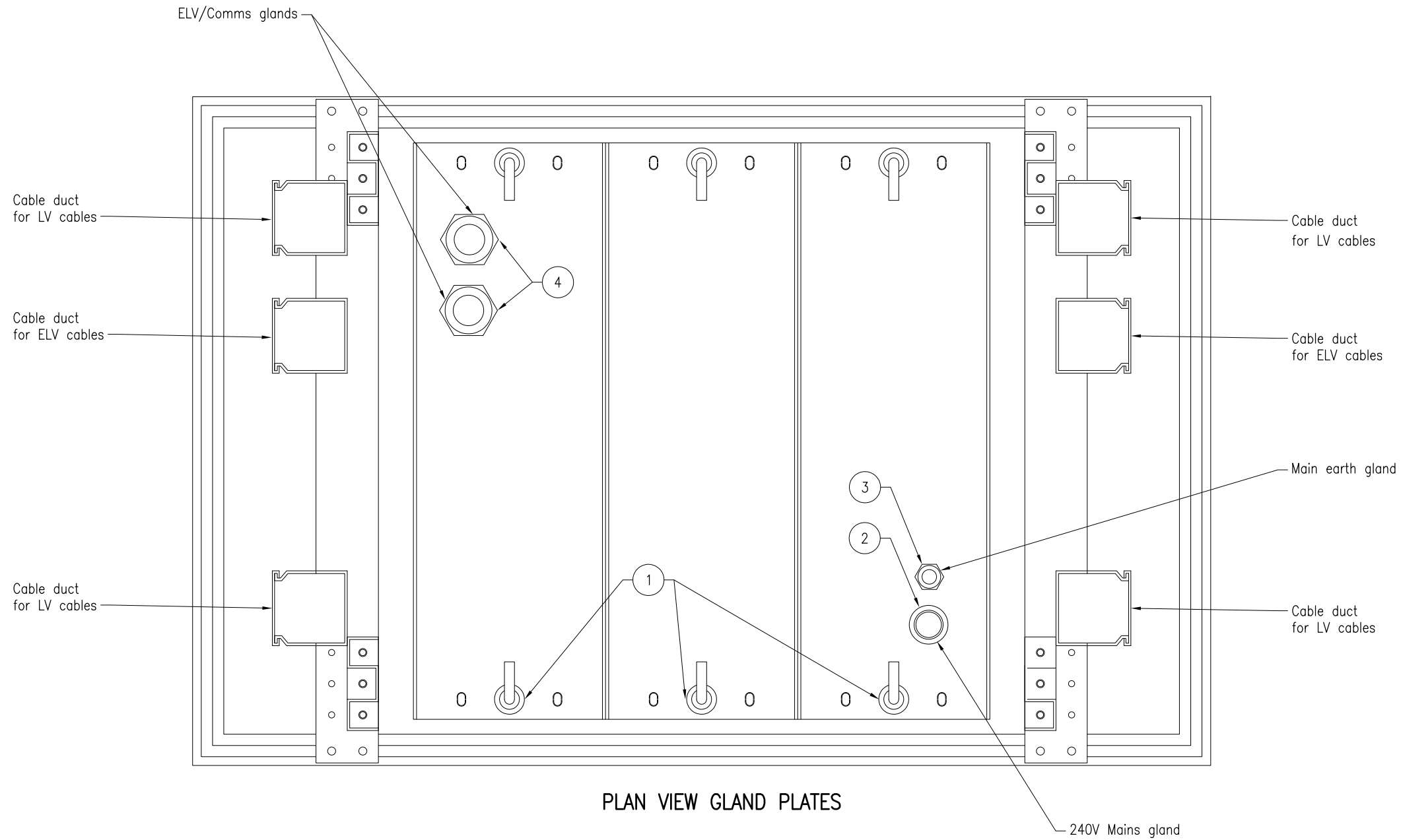
Australian Standards:



- AS/NZS 3000 Electrical Installations (Wiring Rules)

Department of Transport and Main Roads			
ITS			
TRAFFIC MONITORING CABINET TYPICAL DETAILS SHEET 1 OF 10		A3 Not to Scale	Standard Drawing No 1905 Date 7/19
A	B	C	

NOTES:

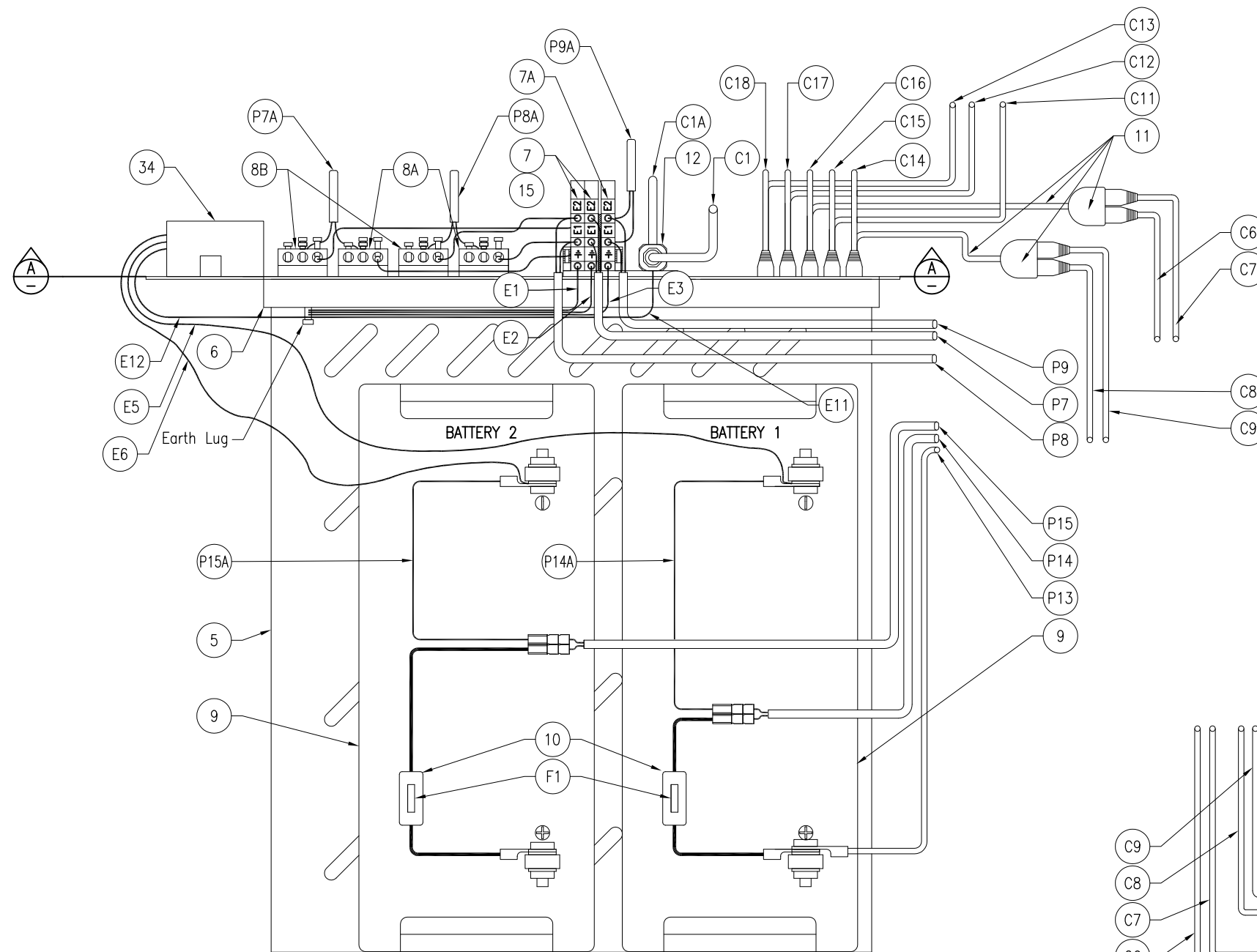
1. Mains termination enclosure and cabling supplied with cabinet is to be removed and installed on left hand side of cabinet as per sheet 1.
2. Mains cable to be terminated in cabinet switchboard.
3. LV cabling is to be installed in the front and rear cable ducts.
4. ELV cabling is to be installed in the middle cable ducts.
5. Install cable glands in indicative locations as shown.
6. Refer Sheet 9 for equipment schedule.



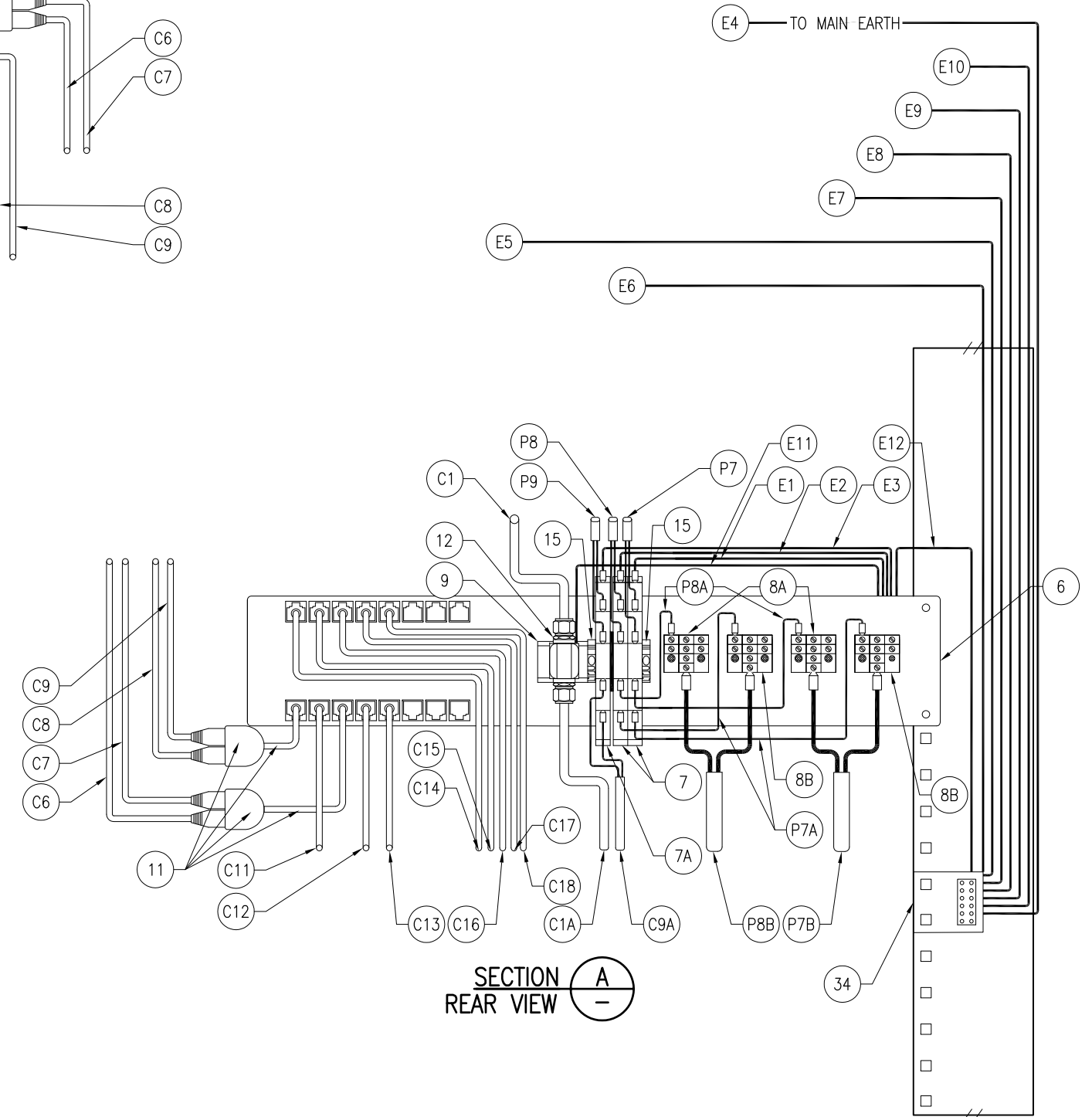
Department of Transport and Main Roads		 Queensland Government	 © The State of Queensland (Department of Transport and Main Roads) 2019 https://creativecommons.org/licenses/by/4.0/
ITS			
TRAFFIC MONITORING CABINET GLAND PLATE DETAILS SHEET 2 OF 10		A3 Not to Scale	Standard Drawing No 1905 Date 7/19
A	B	C	

NOTES:



1. Termination blocks (items 8A and 8B) and DIN rail (item 9) to be attached to RJ45/8 surge protector – use 2x 8gx12mm button head phillips drive metal screws.
2. Power and coaxial surge protectors (items 7 and 12) to be attached to DIN rail.
3. All equipment to be installed in indicative locations as shown.
4. Batteries are to be tied down to shelf when cabinet is in transit.
5. Refer sheets 9 and 10 for equipment, cable and fuse schedules.

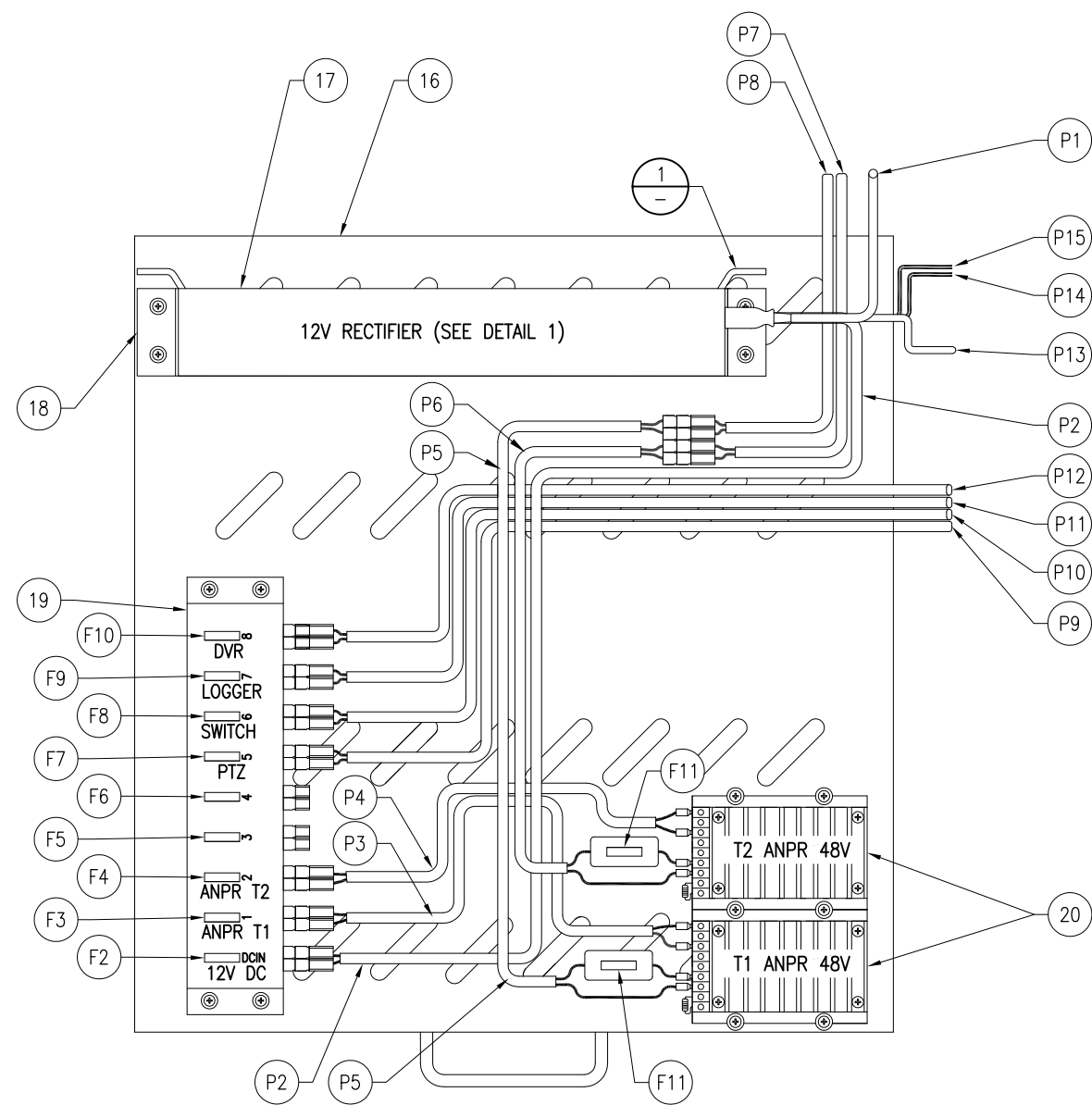


BATTERY SHELF PLAN VIEW

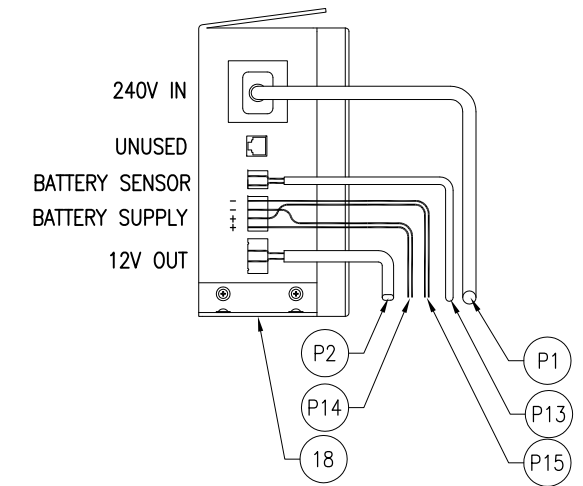


**SECTION A
REAR VIEW**

Department of Transport and Main Roads		 <small>© The State of Queensland (Department of Transport and Main Roads) 2019 https://creativecommons.org/licenses/by/4.0/</small>	
ITS			
TRAFFIC MONITORING CABINET BATTERY SHELF DETAILS SHEET 3 OF 10		A3 Not to Scale	Standard Drawing No 1905 Date 7/19
A	B	C	



POWER SHELF PLAN VIEW



DETAIL 1
RECTIFIER CONNECTIONS

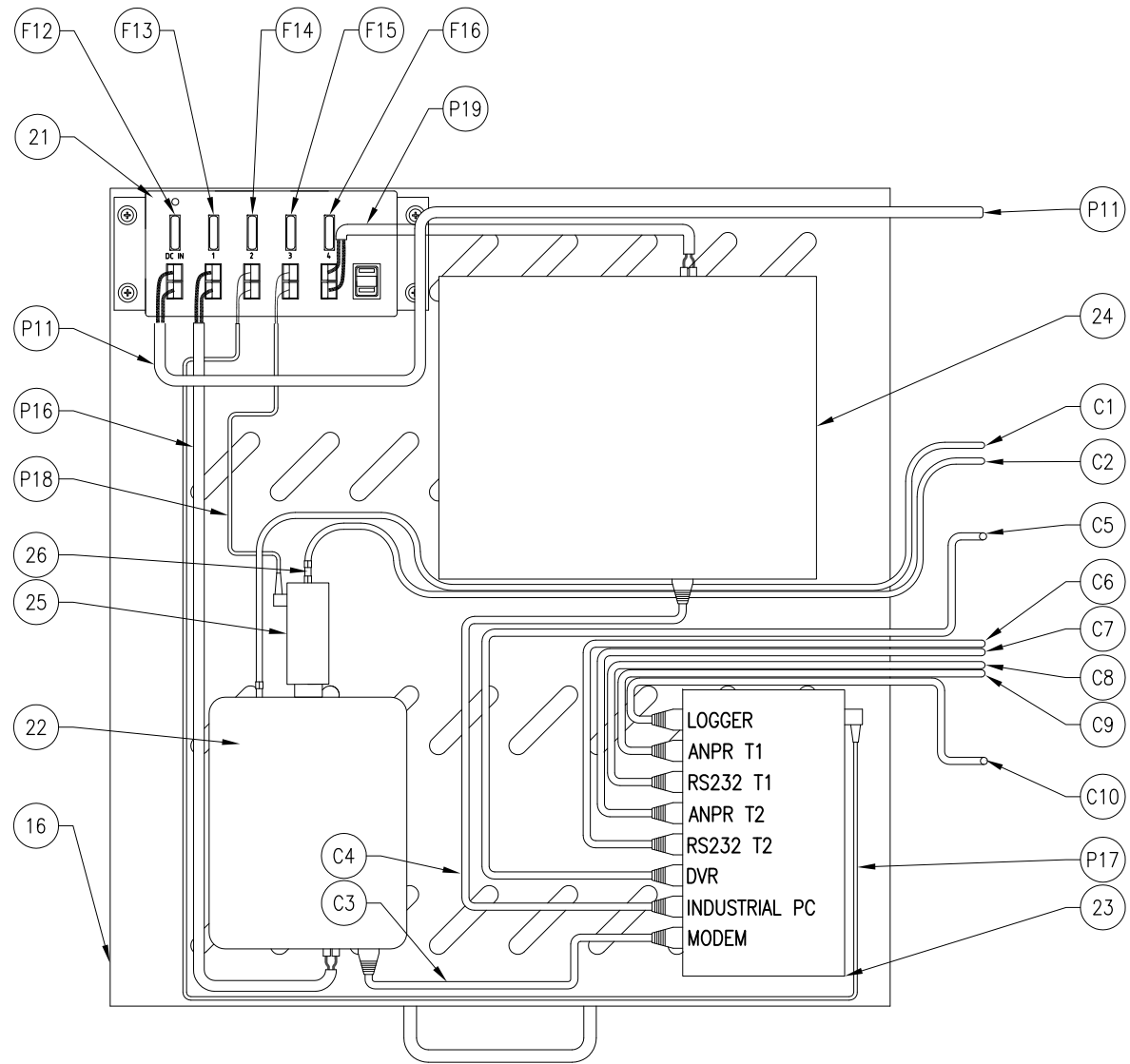
NOTES:

1. The output of the 48VDC converter shall be set by manufacturer to 49V.
2. All equipment to be fixed to shelf.
3. All equipment to be installed in indicative locations as shown.
4. Cables to be bundled neatly and routed as indicatively shown.
5. Refer sheets 9 and 10 for equipment, fuse and cable schedules.

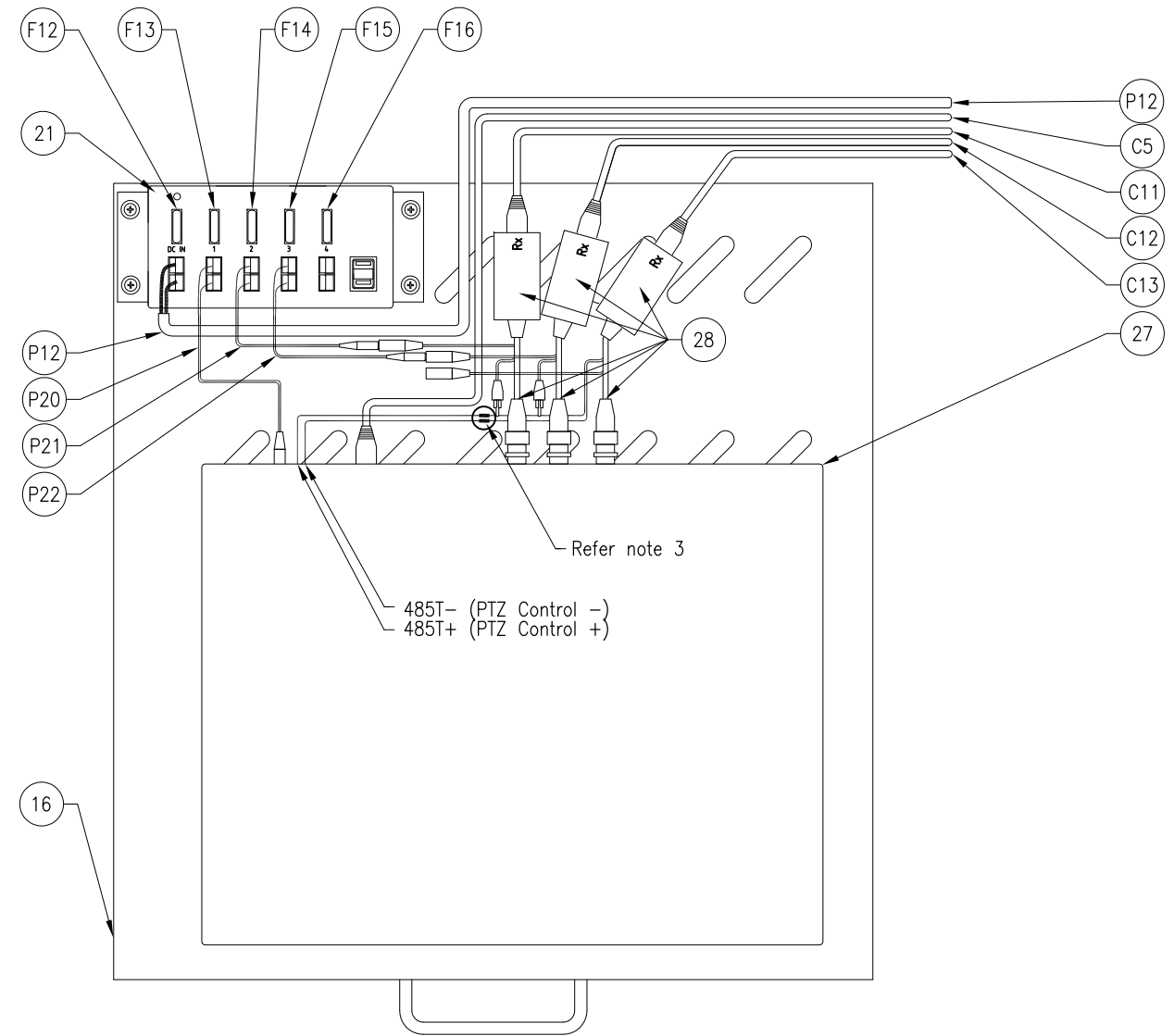
Department of Transport and Main Roads		 <small>© The State of Queensland (Department of Transport and Main Roads) 2019 https://creativecommons.org/licenses/by/4.0/</small>	
ITS			
TRAFFIC MONITORING CABINET POWER SHELF DETAILS SHEET 4 OF 10		A3 Not to Scale	Standard Drawing No 1905 Date 7/19
A	B	C	

NOTES:



1. All equipment to be fixed to shelf.
2. All equipment to be installed in indicative locations as shown.
3. RCA cable from PTZ camera balun receiver to be extended via solder joint to a cable suitable for PTZ +/- connection to DVR unit.
4. Refer sheets 9 and 10 for equipment, fuses and cable schedules.

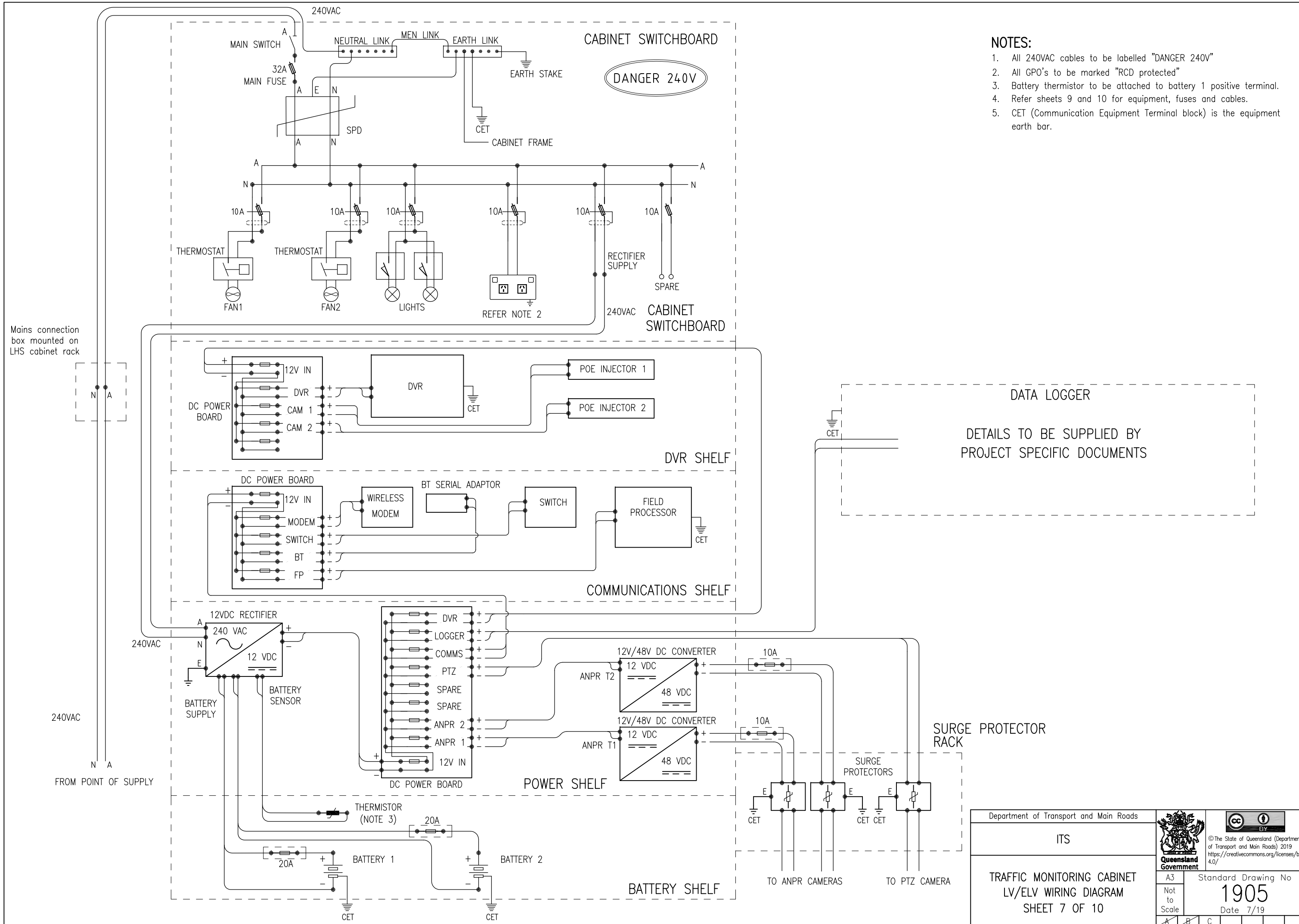


COMMUNICATIONS SHELF PLAN VIEW



DVR SHELF PLAN VIEW

Department of Transport and Main Roads		 <small>© The State of Queensland (Department of Transport and Main Roads) 2019 https://creativecommons.org/licenses/by/4.0/</small>	
ITS			
TRAFFIC MONITORING CABINET COMMUNICATIONS AND DVR SHELF SHEET 5 OF 10		A3 Not to Scale	Standard Drawing No 1905 Date 7/19
A	B	C	



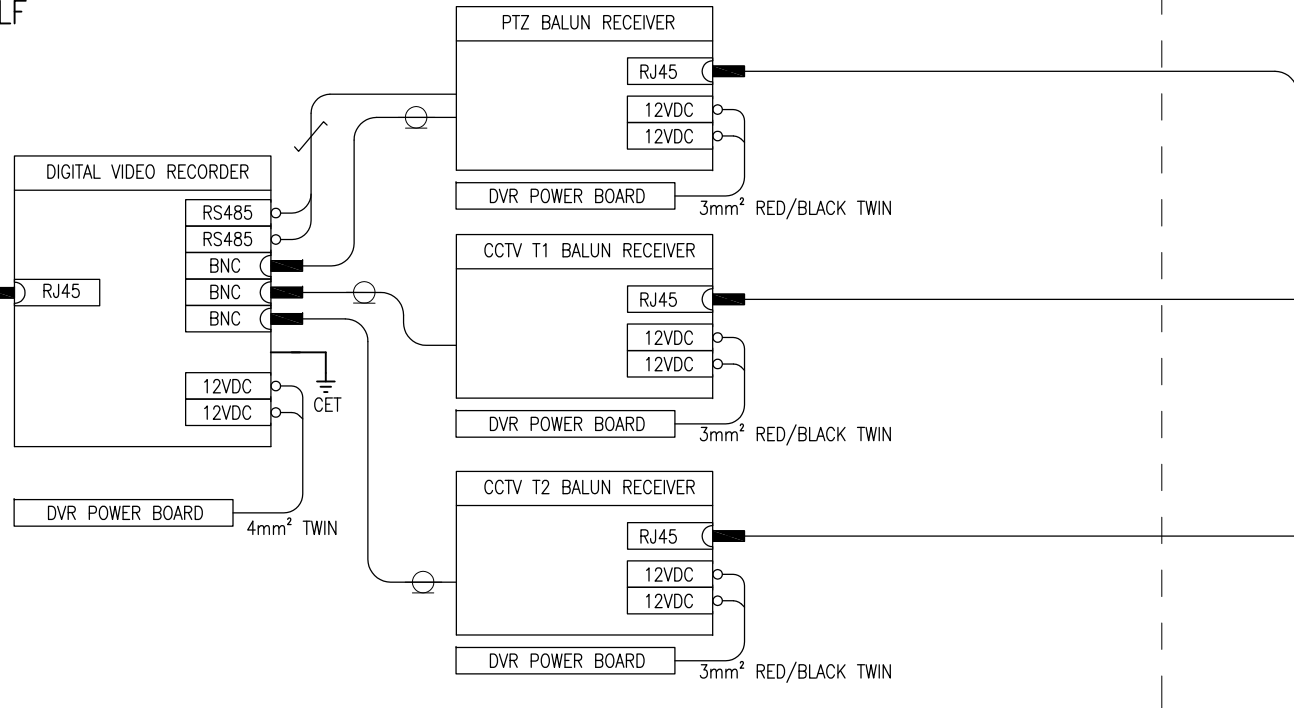
- NOTES:**
1. All 240VAC cables to be labelled "DANGER 240V"
 2. All GPO's to be marked "RCD protected"
 3. Battery thermistor to be attached to battery 1 positive terminal.
 4. Refer sheets 9 and 10 for equipment, fuses and cables.
 5. CET (Communication Equipment Terminal block) is the equipment earth bar.

DATA LOGGER

DETAILS TO BE SUPPLIED BY
PROJECT SPECIFIC DOCUMENTS

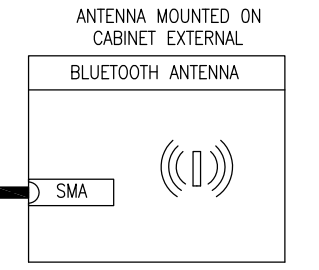
Department of Transport and Main Roads		 <small>© The State of Queensland (Department of Transport and Main Roads) 2019 https://creativecommons.org/licenses/by/4.0/</small>	
ITS			
TRAFFIC MONITORING CABINET LV/ELV WIRING DIAGRAM SHEET 7 OF 10		A3 Not to Scale	Standard Drawing No 1905 Date 7/19
A	B	C	

DVR SHELF



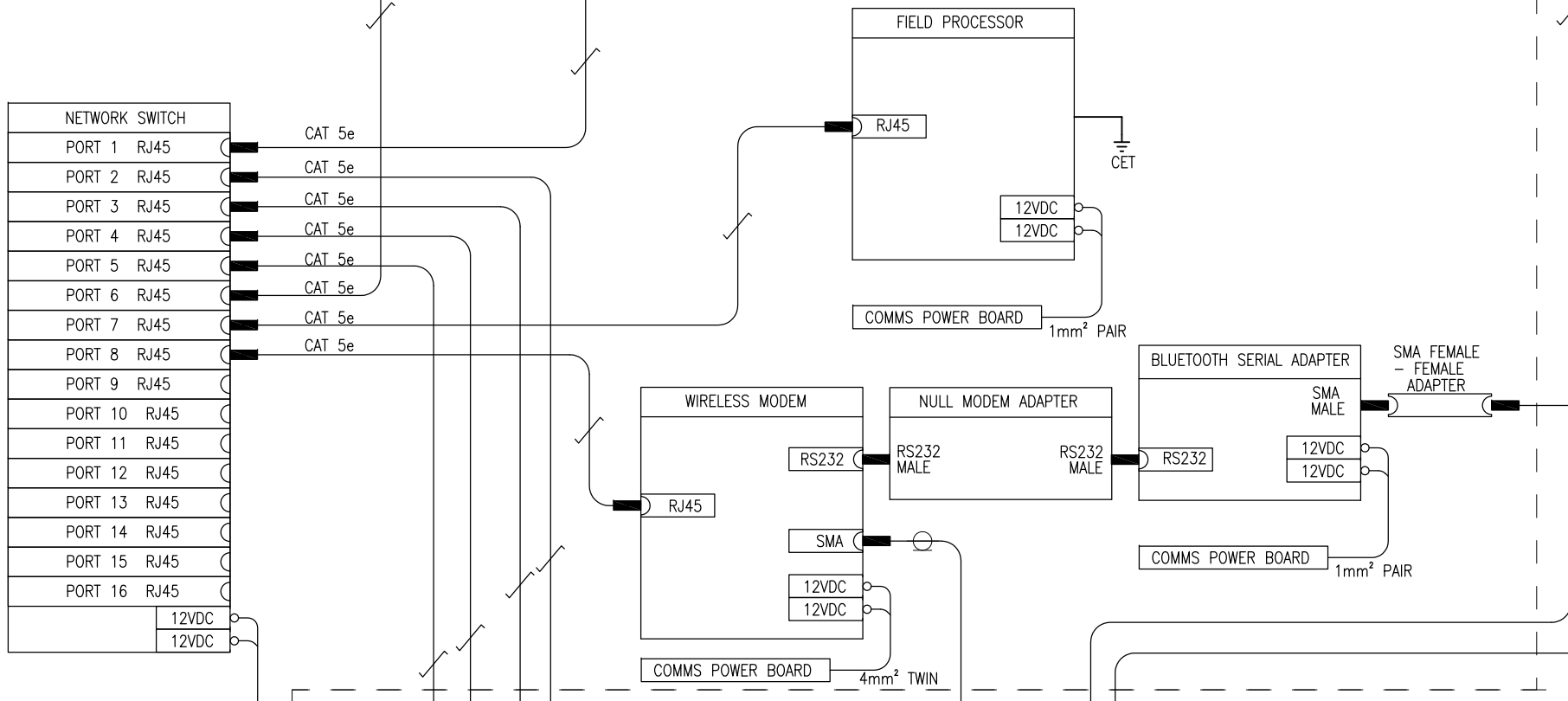
DATA LOGGER

DETAILS TO BE SUPPLIED BY DESIGN DRAWINGS



BLUETOOTH ANTENNA MOUNTING ENCLOSURE

COMMUNICATIONS SHELF



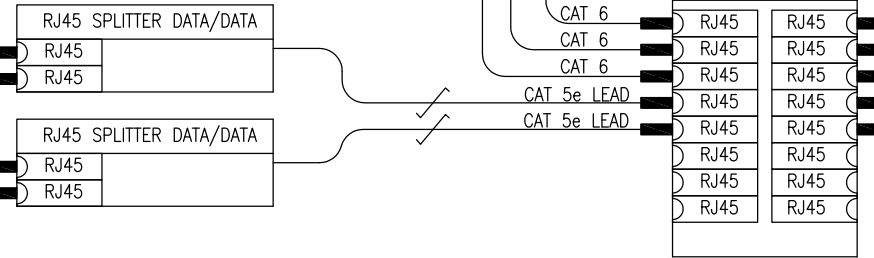
COMMS POWER BOARD 1mm² PAIR

COMMS POWER BOARD 4mm² TWIN

COMMS POWER BOARD 1mm² PAIR

COMMS POWER BOARD 1mm² PAIR

SURGE PROTECTOR



- TO CCTV T1
- TO CCTV T2
- TO PTZ CCTV
- TO ANPR T1
- TO ANPR T2



Department of Transport and Main Roads			
ITS			
TRAFFIC MONITORING CABINET DATA CONNECTIONS DIAGRAM SHEET 8 OF 10		A3	Standard Drawing No 1905
		Not to Scale	Date 7/19
A	B	C	

EQUIPMENT SCHEDULE

EQUIP ID	DESCRIPTION	VOLTAGE	QUANTITY	COMMENTS
1	Quick Release Gland Plates	N/A	3	Supplied with Cabinet – Refer Sheet 2
2	Mains Cable Gland (Nylon)	LV	1	Gland size to be determined on site – Refer Sheet 2
3	Earth cable Gland (Nylon)	N/A	1	Gland size to be determined on site – Refer Sheet 2
4	ELV cable Gland (Nylon)	ELV	1	Refer Sheet 2
5	19in Heavy Duty Fixed Shelf	N/A	1	Refer Sheet 3
6	RJ45–8 CAT6 Surge Protector	COMMS	1	Refer Sheet 3
7	48V DC Surge Protector	ELV/48VDC	2	Refer Sheet 3
7A	12V DC Surge Protector	ELV/12VDC	1	Refer Sheet 3
8A	Termination Blocks Red	ELV/48VDC	2	Refer Sheet 3
8B	Termination Blocks Black	ELV/48VDC	2	Refer Sheet 3
9	Valve Regulated Lead Acid Battery (12V 100Ah/20HR)	ELV/12VDC	2	Refer Sheet 3
10	Water resistant Blade Fuse Link holder with failure lamp	ELV/12VDC	2	Unit supplied with 110mm leads – Refer Sheet 3
11	LAN Splitter	COMMS	2	Refer Sheet 3
12	RF (COAXIAL) Surge Protector with DIN rail clip	COMMS	1	Earthed via DIN rail clip – Refer Sheet 3
13	Metal DIN rail "standard" size	N/A	1	Purchased in purchased in pre-supplied length's and cut to appropriate size, affix to RJ45/8 surge protector – Refer Sheet 3
14	Terminal block, end holder, screwable, small	N/A	2	Refer Sheet 3
15	Terminal block, end plate/partition 16–35	N/A	1	Refer Sheet 3
16	19in Sliding shelf	N/A	4	Supplied with cabinet – Refer Sheet 4
17	12V Rectifier	240VAC in / 12VDC out	1	Unit supplied with 4–way Lumberg plugs and Thermistor battery sensor cable – Refer Sheet 4
18	45x25mm 90° angled aluminium mounting bracket	N/A	2	Supplied pre-cut by manufacturer – Refer Sheet 4
19	12V DC Power distribution board – 8 outputs	12VDC in / 12VDC out	1	Fuses supplied with unit to be replaced as per fuse schedule – Refer Sheet 4
20	48VDC converter	12VDC in / 48VDC out	2	Output Voltage to be set by manufacturer to 49VDC – Refer Sheet 4
21	12V DC Power distribution board – 4 outputs	12VDC in / 12VDC out	2	Refer Sheet 5
22	Wireless Modem	12VDC	1	Refer Sheet 5
23	Unmanaged Network Switch	12VDC	1	Refer Sheet 5
24	Industrial Fanless Embedded PC	12VDC	1	Refer Sheet 5
25	Bluetooth Serial Adapter	12VDC	1	To be supplied with Null Modem Adapter – Refer Sheet 5
26	SMA reverse polarity plug to SMA jack	COMMS	1	Refer Sheet 5
27	Digital Video Recorder (DVR)	12VDC	1	Refer Sheet 5
28	RJ45 Video Balun	12VDC	3	Supplied as Tx/Rx Kit. Unit included BNC, RCA and DC Connectors – Refer Sheet 5
29	UV stabilized HD PVC IP 66 Rated Enclosure	N/A	1	To be mounted on Cabinet door facing road – Refer Sheet 6
30	Enclosure mounting plate	N/A	1	Refer Sheet 6
31	Bluetooth Data Logger Antenna	COMMS	1	Refer Sheet 6
32	Cable Gland	N/A	1	Refer Sheet 6
33	Right Angle SMA Connector (CET)	COMMS	1	Refer Sheet 6
34	Communication Equipment Terminal Block	ELV/48VDC	1	CET



FUSE SCHEDULE

EQUIP ID	DESCRIPTION	RATING	QUANTITY	COMMENTS
F1	Standard automotive Blade Fuse	20A	2	Refer Sheet 3
F2	Standard automotive Blade Fuse	40A	1	Refer Sheet 4
F3	Standard automotive Blade Fuse	7.5A	1	Refer Sheet 4
F4	Standard automotive Blade Fuse	7.5A	1	Refer Sheet 4
F5	Standard automotive Blade Fuse	3A	1	Refer Sheet 4
F6	Standard automotive Blade Fuse	3A	1	Refer Sheet 4
F7	Standard automotive Blade Fuse	3A	1	Refer Sheet 4
F8	Standard automotive Blade Fuse	10A	1	Refer Sheet 4
F9	Standard automotive Blade Fuse	3A	1	Refer Sheet 4
F10	Standard automotive Blade Fuse	10A	1	Refer Sheet 4
F11	Standard automotive Blade Fuse	10A	2	Refer Sheet 4
F12	Standard automotive Blade Fuse	15A	2	Refer Sheet 5
F13	Standard automotive Blade Fuse	5A	2	Refer Sheet 5
F14	Standard automotive Blade Fuse	3A	2	Refer Sheet 5
F15	Standard automotive Blade Fuse	3A	2	Refer Sheet 5
F16	Standard automotive Blade Fuse	3A	2	Refer Sheet 5

Department of Transport and Main Roads		 Queensland Government	 © The State of Queensland (Department of Transport and Main Roads) 2019 https://creativecommons.org/licenses/by/4.0/
ITS			
TRAFFIC MONITORING CABINET EQUIPMENT AND FUSE SCHEDULES SHEET 9 OF 10		A3 Not to Scale	Standard Drawing No 1905 Date 7/19
A	B	C	

CABLE SCHEDULES

CABLE ID	SIZE/TYPE	VOLTAGE	FROM	SUPPLY PLUG	LABEL	TO	PLUG EQUIP	LENGTH	COMMENTS
P1	1.5mm ² Circular 240VAC Orange	LV	10A RCBO	1.5mm Bootlace	Rectifier Supply	12VDC Rectifier Mains input	3 Pin IEC Female	2.8m Bootlace to 3 pine IEC	Refer Sheet 4
P2	3mm ² PVC/PVC Automotive Twin	ELV	12V Rectifier – Load	4-Way Lumberg Male	12VDC Mains	DC Power Board – DCIN	Anderson Power Pole	720mm Lumberg to Power Pole	Plug supplied by manufacturer – Refer Sheet 4
P3	3mm ² PVC/PVC Automotive Twin	ELV	DC Power Board – ANPR T1	Anderson Power Pole	ANPR T1	48V DC Converter	1.5mm Bootlace	280mm Power Pole to Bootlace	Refer Sheet 4
P4	3mm ² PVC/PVC Automotive Twin	ELV	DC Power Board – ANPR T2	Anderson Power Pole	ANPR T2	48V DC Converter	1.5mm Bootlace	280mm Power Pole to Bootlace	Refer Sheet 4
P5	3mm ² PVC/PVC Automotive Twin	ELV	48V DC CONVERTER	1.5mm Bootlace	ANPR T1	Anderson Power Pole	Anderson Power Pole	420mm Bootlace to Power Pole	Refer Sheet 4
P6	3mm ² PVC/PVC Automotive Twin	ELV	48V DC Converter	1.5mm Bootlace	ANPR T2	Anderson Power Pole	Anderson Power Pole	350mm Bootlace to Power Pole	Refer Sheet 4
P7	3mm ² PVC/PVC Automotive Twin	ELV	Anderson Power Pole	Anderson Power Pole	ANPR 1	Power Surge Protector 1	2.5mm Bootlace	1.6m Power Pole to Bootlace	Refer Sheets 3 and 4
P7A	3mm ² PVC/PVC Automotive Twin	ELV	Power Surge Protector 1	2.5mm Bootlace		ANPR2 Terminal Block	2.5mm Bootlace	400mm Bootlace to Power Pole	Refer Sheets 3
P7B	2c 16mm ² PVC/PVC Twin tinned	ELV	ANPR 1 Terminal Block	16mm Bootlace	ANPR 1 Out	ANPR 1	16mm Bootlace	To be specified on site	Refer Sheets 3 and 4
P8	3mm ² PVC/PVC Automotive Twin	ELV	48V DC Converter	Anderson Power Pole	ANPR 2	Power Surge Protector 2	2.5mm Bootlace	1.6m Power Pole to Bootlace	Refer Sheets 3 and 4
P8A	3mm ² PVC/PVC Automotive Twin	ELV	Power Surge Protector 1	2.5mm Bootlace		ANPR2 Terminal Block	2.5mm Bootlace	450mm Bootlace to Power Pole	Refer Sheets 3
P8B	2c 16mm ² PVC/PVC Twin tinned	ELV	ANPR2 Terminal Block	16mm Bootlace	ANPR 2 Out	ANPR 2	16mm Bootlace	To be specified on site	Refer Sheet 3
P9	3mm ² Automotive Twin	ELV	DC Power Board – Power Shelf–PTZ	Anderson Power Pole	PTZ	Power Surge Protector 3	2.5mm Bootlace	2m Power Pole to Bootlace	Refer Sheets 3 and 4
P9A	4mm ² Automotive Twin Tinned	ELV	Power Surge Protector	2.5mm Bootlace	PTZ Out	Power Surge Protector pole	2.5mm Bootlace	15m Bootlace to Bootlace	Refer SD1905 Sheet 4 and SD1903 Cable P1.
P10	3mm ² Automotive Twin	ELV	DC Power Board – Switch	Anderson Power Pole	Comms Shelf – Power Board – DCIN	Comms Shelf – Power Board – DCIN	Anderson Power Pole	2.5m Power Pole to Power Pole	Refer Sheets 4 and 5
P11	3mm ² Automotive Twin	ELV	DC Power Board – Logger	Anderson Power Pole	Logger	Data Logger	Data Logger	Manufactures Spec	Plug and Cable supplied with Data Logger unit
P12	3mm ² PVC/PVC Automotive Twin	ELV	DC Power Board – DVR	Anderson Power Pole	DVR	DVR Shelf – DC Power Board – DCIN	Anderson Power Pole	2.8m Power Pole to Power Pole	Refer sheets 4 and 5
P13	Temperature Compensation Probe	ELV	12v Rectifier – Temp Comp	Manufacturer Supplied	Battery Temp	Positive Terminal Battery 1	Manufacturer Supplied	Manufacturer Spec	Cable supplied with Rectifier – Refer Sheets 3 and 4
P14	3mm ² PVC/PVC Automotive Twin	ELV	12V Rectifier – Battery	4-Way Lumberg Male	Battery 1	Positive and Negative Terminals Battery 1	Anderson Power Pole	1.4m Power Pole to Power Pole	Refer Sheets 3 and 4
P14A	3mm ² Single Black	ELV	Anderson Power Pole Plug Black	Anderson Power Pole (Black)	Battery 1 Negative	Battery 1 Negative Terminal	Cable lug 8mm eyelet	200mm Power Pole to Cable lug	Refer Sheet 3
P14B	Blade Fuse Link holder Equipment 10	ELV	Anderson Power Pole Plug Red	Anderson Power Pole (Red)	Battery 1 Positive	Battery 1 Positive Terminal	Cable lug 8mm eyelet	220mm Power Pole to Cable lug	Refer Sheet 3 and 9 – Blade Fuse Link holder Equipment no.10
P15	F8 3mm ² Red/Black Pair	ELV	12v Rectifier – Battery	4-way Lumberg Male	Battery 2	Positive and Negative Terminals Battery 2	Anderson Power Pole	1.4m Power Pole to Power Pole	Refer Sheets 3 and 4
P15A	3mm ² Single Black	ELV	Anderson Power Pole Plug Black	Anderson Power Pole (Black)	Battery 2 Negative	Battery 2 Negative Terminal	Cable lug 8mm eyelet	200mm Power Pole to Cable lug	Refer Sheet 3
P15B	Blade Fuse Link holder Equipment 10	ELV	Anderson Power Pole Plug Red	Anderson Power Pole (Red)	Battery 2 Positive	Battery 2 Positive Terminal	Cable lug 8mm eyelet	220mm Power Pole to Cable lug	Refer Sheet 3 and 9 – Blade Fuse Link holder Equipment no.10
P16	3mm ² PVC/PVC Automotive Twin	ELV	Comms DC Power Board – 1	Anderson Power Pole	Modem	Wireless Modem	1.5mm Bootlace	500mm Power Pole to Bootlace	Refer Sheet 5
P17	DC Plug pack cable (supplied with unit)	ELV	Comms DC Power Board – 2	Anderson Power Pole	Switch	Network Switch	Supplied with Switch	Supplied with Switch	Remove power pack and connect Power Pole connectors – Refer Sheet 5
P18	DC Plug pack cable (supplied with unit)	ELV	Comms DC Power Board – 3	Anderson Power Pole	Bluetooth	Bluetooth Serial Adapter	Supplied with BT unit	Supplied with BT unit	Remove power pack and connect Power pole connectors – Refer Sheet 5
P19	3mm ² Automotive Twin	ELV	Comms DC Power Board – 4	Anderson Power Pole	Industrial PC Power	Industrial PC	tinned	150mm Power Pole to Bootlace	Refer Sheet 5
P20	DC Plug Pack cable (supplied with unit)	ELV	DVR DC Power Board – 1	Anderson Power Pole	DVR Power	DVR Power	Supplied with DVR	Supplied with DVR	Remove power pack and Connect Power Pole connectors – Refer Sheet 5
P21	3mm ² Automotive Twin	ELV	DVR DC Power Board – 2	Anderson Power Pole	Balun 1	Balun 1	DC line plug Male	300mm Power Pole to DC plug	Refer Sheet 5
P22	3mm ² Automotive Twin	ELV	DVR DC Power Board – 3	Anderson Power Pole	Balun 2	Balun 2	DC line plug Male	300mm Power Pole to DC plug	Refer Sheet 5
P23	3mm ² Automotive Twin	ELV	DVR DC Power Board – 4	Anderson Power Pole	Balun 3	Balun 3	DC line plug Male	300mm Power Pole to DC plug	Refer Sheet 5
C1	LMR195 50? Coax	COMMS	Wireless Modem	SMA Male	Antenna	Coaxial Surge Protector	N-Type Male	1.5m SMA Male to SMA Male	Refer Sheets 5 and 6
C1A	LMR400 50? Coax	COMMS	Coaxial Surge Protector	N-Type Male	Antenna out	Antenna Field	N-Type Male	10m N-Type Male to Male	Refer Sheets 5
C2	LMR195 50? Coax	COMMS	Bluetooth Serial Adapter	SMA Male	BT Antenna	Bluetooth Antenna	Right Angle SMA Male	1.5m SMA Male to SMA Male	Refer Sheets 5 and 6
C3	200mm CAT 5e Ethernet Patch Lead (Blue)	COMMS	Wireless Modem	RJ45 Male	Modem	Network Switch – 8	RJ45 Male	Purchased as 200mm lengths	Refer Sheet 5
C4	200mm CAT 5e Ethernet Patch Lead (Blue)	COMMS	Network Switch – 7	RJ45 Male	Industrial PC Comms	Industrial PC	RJ45 Male	Purchased as 200mm Lengths	Refer Sheet 5
C5	2m CAT 5e Ethernet Patch Lead (Blue)	COMMS	Network Switch – 6	RJ45 Male	DVR Comms	DVR	RJ45 Male	Purchased as 2m Lengths	Refer Sheet 5
C6	2m CAT 5e Ethernet Patch Lead (Blue)	COMMS	Network Switch – 5	RJ45 Male	ANPR 2 LAN	LAN Splitter 2 – LAN	RJ45 Male	Purchased as 2m Lengths	Refer Sheets 5 and 3
C7	2m CAT 5e Ethernet Patch Lead (Blue)	COMMS	Network Switch – 4	RJ45 Male	ANPR 2 Serial	LAN Splitter 2 – Serial	RJ45 Male	Purchased as 2m Lengths	Refer Sheets 5 and 3
C8	2m CAT 5e Ethernet Patch Lead (Blue)	COMMS	Network Switch – 3	RJ45 Male	ANPR 1 LAN	LAN Splitter 1 – LAN	RJ45 Male	Purchased as 2m Lengths	Refer Sheets 5 and 3
C9	2m CAT 5e Ethernet Patch Lead (Blue)	COMMS	Network Switch – 2	RJ45 Male	ANPR 1 SERIAL	LAN Splitter 1 – Serial	RJ45 Male	Purchased as 2m Lengths	Refer Sheets 5 and 3
C10	2m CAT 5e Ethernet Patch Lead (Blue)	COMMS	Network Switch – 1	RJ45 Male	WiM Logger	WiM Data Logger	RJ45 Male	Purchased as 2m Lengths	As per manufacturers requirements
C11	3m CAT 6 Ethernet Patch Lead (POE Green)	COMMS	DVR Balun 1	RJ45 Male	CCTV 1	RJ45/8 Surge Protector	RJ45 Male	Purchased as 3m Lengths	Refer Sheets 5 and 3
C12	3m CAT 6 Ethernet Patch Lead (POE Green)	COMMS	DVR Balun 2	RJ45 Male	CCTV 2	RJ45/8 Surge Protector	RJ45 Male	Purchased as 3m Lengths	Refer Sheets 5 and 3
C13	3m CAT 6 Ethernet Patch Lead (POE Green)	COMMS	DVR Balun 3	RJ45 Male	PTZ	RJ45/6 Surge Protector	RJ45 Male	Purchased as 3m Lengths	Refer Sheets 5 and 3
C14	CAT 6 jelly filled PE (Black)	COMMS	RJ45/8 Surge Protector	RJ45 Male	ANPR 1 Out	ANPR T1 Field	RJ45 Male	Specified on site	Refer Sheet 3
C15	CAT 6 jelly filled PE (Black)	COMMS	RJ45/8 Surge Protector	RJ45 Male	VIDEO 1 Out	CCTV T1 Field	RJ45 Male	Specified on site	Refer Sheet 3
C16	CAT 6 jelly filled PE (Black)	COMMS	RJ45/8 Surge Protector	RJ45 Male	ANPR 2 Out	ANPR T2 Field	RJ45 Male	Specified on site	Refer Sheet 3
C17	CAT 6 jelly filled PE (Black)	COMMS	RJ45/8 Surge Protector	RJ45 Male	VIDEO 2 Out	CCTV T2 Field	RJ45 Male	Specified on site	Refer Sheet 3
C18	CAT 6 jelly filled PE (Black)	COMMS	RJ45/8 Surge Protector	RJ45 Male	PTZ CCTV	PTZ CCTV	RJ45 Male	Specified on site	Refer Sheet 3
E1	2.5mm ² Single Green/Yellow Earth	EARTH	Power Surge Protector 1	2.5mm Bootlace	Earth 1	Equipment Earth Terminal Block	2.5mm Bootlace	300mm Bootlace to Bootlace	Refer Sheet 3
E2	2.5mm ² Single Green/Yellow Earth	EARTH	Power Surge Protector 2	2.5mm Bootlace	Earth 2	Equipment Earth Terminal Block	2.5mm Bootlace	300mm Bootlace to Cable lug	Refer Sheet 3
E3	2.5mm ² Single Green/Yellow Earth	EARTH	Power Surge Protector 3	2.5mm Bootlace	Earth 3	Equipment Earth Terminal Block	2.5mm Bootlace	300mm Bootlace to Cable lug	Refer Sheet 3
E4	4mm ² Single Green/Yellow Earth	EARTH	Main ELV Earth	Cable lug 6mm Eyelet	Main ELV Earth	Equipment Earth Terminal Block	2.5mm Bootlace	1.5m Cable lug to Cable lug	Refer Sheet 3
E5	1.5mm ² Single Green/Yellow Earth	EARTH	Battery 1	Cable lug 8mm Eyelet	Earth 5	Equipment Earth Terminal Block	2.5mm Bootlace	1m Bootlace to Cable lug	Refer Sheet 3
E6	1.5mm ² Single Green/Yellow Earth	EARTH	Battery 2	Cable lug 8mm Eyelet	Earth 6	Equipment Earth Terminal Block	2.5mm Bootlace	1.3m Bootlace to Cable lug	Refer Sheet 3
E7	1.5mm ² Single Green/Yellow Earth	EARTH	Power shelf	2.5mm Bootlace	Earth 7	Equipment Earth Terminal Block	2.5mm Bootlace	1.6m Bootlace to Cable lug	Refer Sheet 3
E8	1.5mm ² Single Green/Yellow Earth	EARTH	Comms Shelf	Striped 10mm and tinned	Earth 8	Equipment Earth Terminal Block	2.5mm Bootlace	1.6m Bootlace to Cable lug	Refer Sheet 3
E9	1.5mm ² Single Green/Yellow Earth	EARTH	Logger	Ring Terminal 3mm Stud	Earth 9	Equipment Earth Terminal Block	2.5mm Bootlace	1.6m Bootlace to Cable lug	Refer Sheet 3
E10	1.5mm ² Single Green/Yellow Earth	EARTH	DVR Shelf	2.5mm Bootlace	Earth 10	Equipment Earth Terminal Block	2.5mm Bootlace	1.6m Bootlace to Cable lug	Refer Sheet 3
E11	1.5mm ² Single Green/Yellow Earth	EARTH	RF Surge Protector	Cable lug 6mm Eyelet	Earth 11	Equipment Earth Terminal Block	2.5mm Bootlace	1.6m Bootlace to Cable lug	Refer Sheet 3

Department of Transport and Main Roads		 <small>© The State of Queensland (Department of Transport and Main Roads) 2019 https://creativecommons.org/licenses/by/4.0/</small>	
ITS			
TRAFFIC MONITORING CABINET CABLE SCHEDULES SHEET 10 OF 10		A3 Not to Scale	Standard Drawing No 1905 Date 7/19