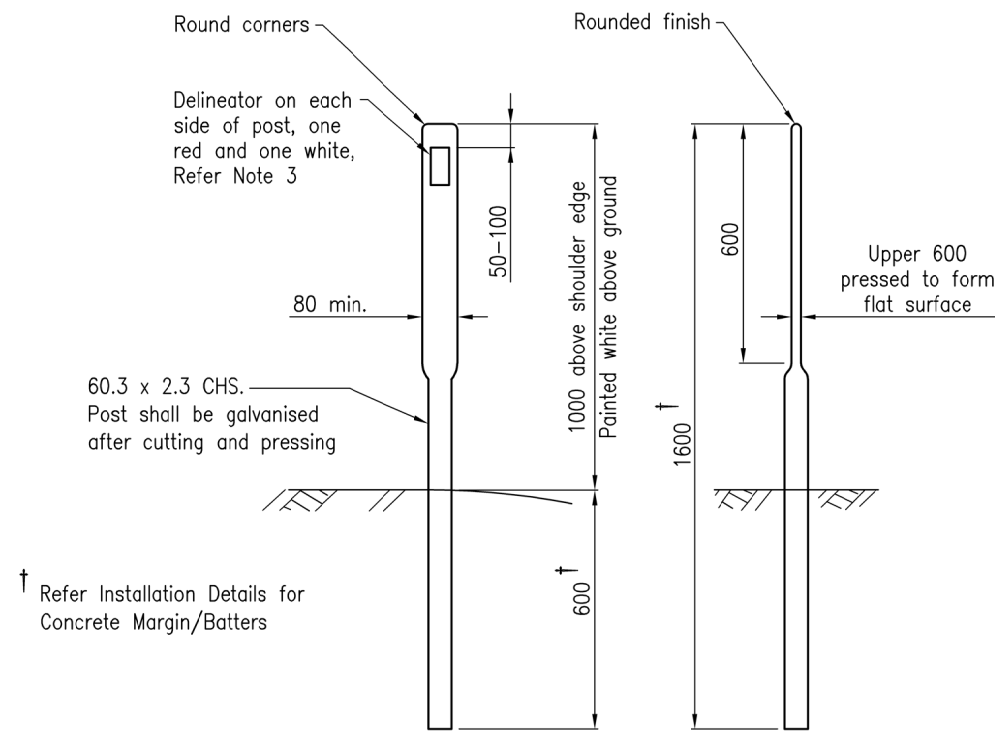
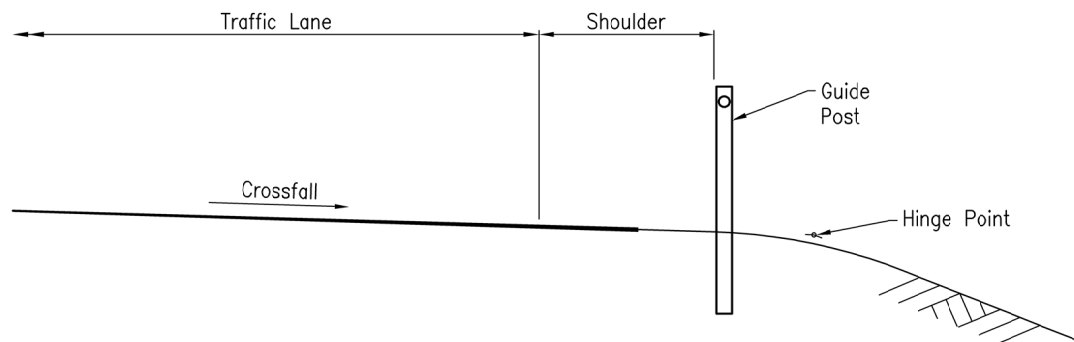


TIMBER



TUBULAR STEEL

ROAD EDGE GUIDE POSTS
Floodways – refer note 6

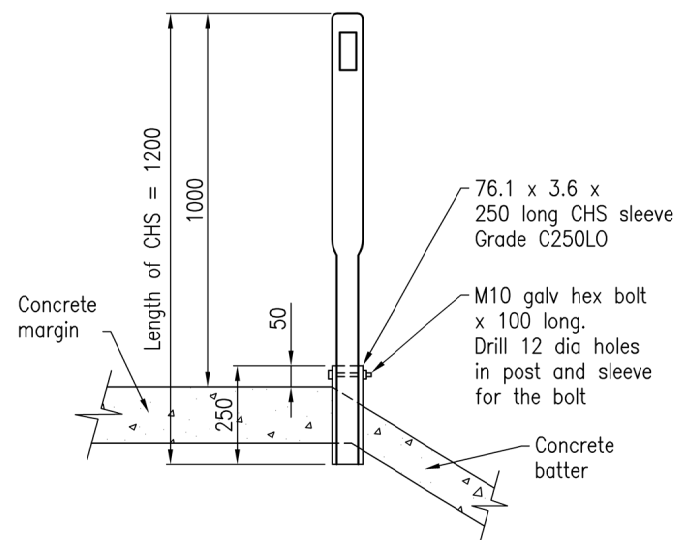


INSTALLATION DETAILS FOR STANDARD ROADWAY

Inside face of post to be set beyond the shoulder edge, but within the verge width.

INSTALLATION VARIATIONS:-

- Low lengths of embankment
Inside face of post to be generally beyond the shoulder edge
- Culvert/Bridges
Where culvert headwall is at or inside the hinge point, provide REGP's. Inside face of post to be generally beyond the shoulder edge but always be in line with the adjacent culvert headwall. Where the culvert headwall is outside the hinge point, REGP's are not required.
- Post Length
Post lengths are to be increased when placed beyond the formation edge to allow for slope.



INSTALLATION DETAILS FOR CONCRETE MARGINS/BATTERS

NOTES:

1. ROAD EDGE GUIDE POSTS (REGP) shall comply with the requirements specified in MRTS14 and with the details shown in this drawing.
2. Road Edge Guide Posts shall be timber, or CHS steel, or a TMR compliant product installed in accordance with the manufacturer's specification.
3. Delineators shall comply with the requirements specified in MRTS14.
4. Siting, alignment and spacing shall be as detailed in the Manual of Uniform Traffic Control Devices (Part 2 – Section 4.2.4) unless specified otherwise in the Contract.
5. CHS posts and sleeves shall be to AS 1163.
Bolts shall be Class 4.6 to AS 1111.1, nuts Class 5 to AS 1112.1 and washers for Class 4.6 bolts.
All bolts and nuts shall be hot dipped galvanised to AS 1214.
All other steelwork shall be hot dipped galvanised to AS/NZS 4680.
6. Floodways – Spacing shall be 25m, with the posts in pairs. Guide posts installed on floodways to be Tubular Steel.
7. Dimensions are in millimetres unless shown otherwise.

ASSOCIATED DEPARTMENTAL DOCUMENTS:

Manual of Uniform Traffic Control Devices (MUTCD)

REFERENCED DOCUMENTS:

Departmental Specifications:
MRTS14 Road Furniture

Australian Standards:

- AS 1111.1 ISO Metric hexagon bolts and screws – Product Grade C – Bolts
- AS 1112.1 ISO Metric hexagon nuts – Product Grades A and B
- AS 1214 Hot dipped galvanised coatings on threaded fasteners (ISO Metric coarse thread series)
- AS/NZS 1163 Cold-Formed Structural Steel Hollow Sections
- AS/NZS 1906.2 Retroreflective materials and devices for road traffic control purposes – Retroreflective devices (non – pavement application)
- AS/NZS 4680 Hot-dip Galvanized (Zinc) Coatings on Fabricated Ferrous Articles

Department of Transport and Main Roads		 <small>© The State of Queensland (Department of Transport and Main Roads) 2022 http://creativecommons.org/licenses/by/4.0/</small>	
ROAD EDGE GUIDE POSTS			
POST AND INSTALLATION DETAILS	A3	Standard Drawing No	
	Not to Scale	1356	
		Date 11/2022	
		A	B