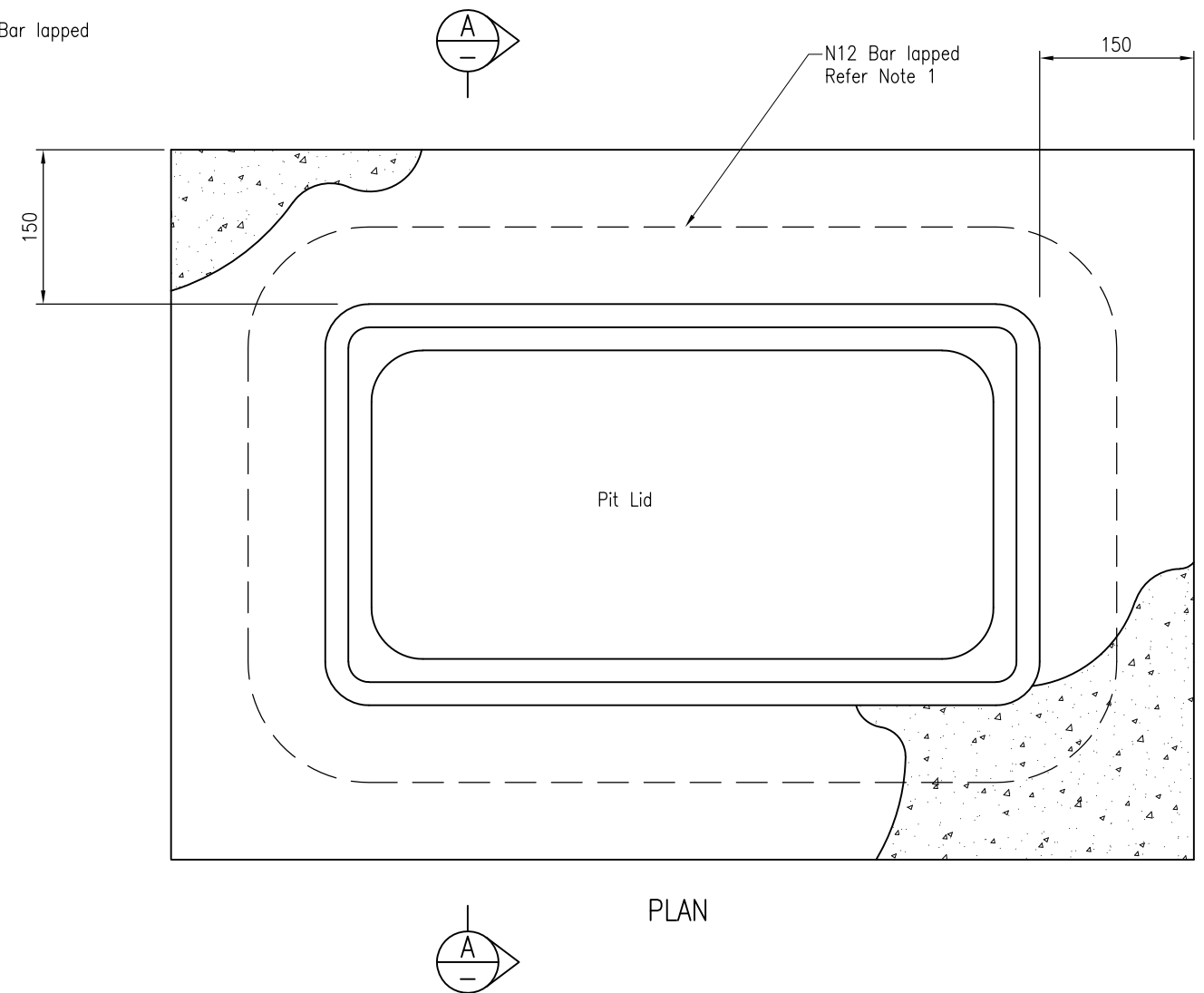


SECTION A



PLAN

NOTES:



1. Install bar centrally in concrete surround
2. Concrete to be N40/10 and shall be in accordance with MRTS70.
3. The dimensions of the concrete surround shown are the minimum for precast or poured in situ concrete surrounds.

ASSOCIATED DEPARTMENTAL DOCUMENTS:

Standard Drawings
Specifications

Departmental Specifications:

MRTS70 Concrete
MRTS91 Conduits and Pits

Department of Transport and Main Roads		 Queensland Government	 © The State of Queensland (Department of Transport and Main Roads) 2022 https://creativecommons.org/licenses/by/4.0/
TRAFFIC SIGNALS/ROAD LIGHTING			
A3	Standard Drawing No		1440
Not to Scale	Date		
CABLE JOINTING PIT RECTANGULAR CONCRETE SURROUND		A	B
		C	D
		E	F
		G	