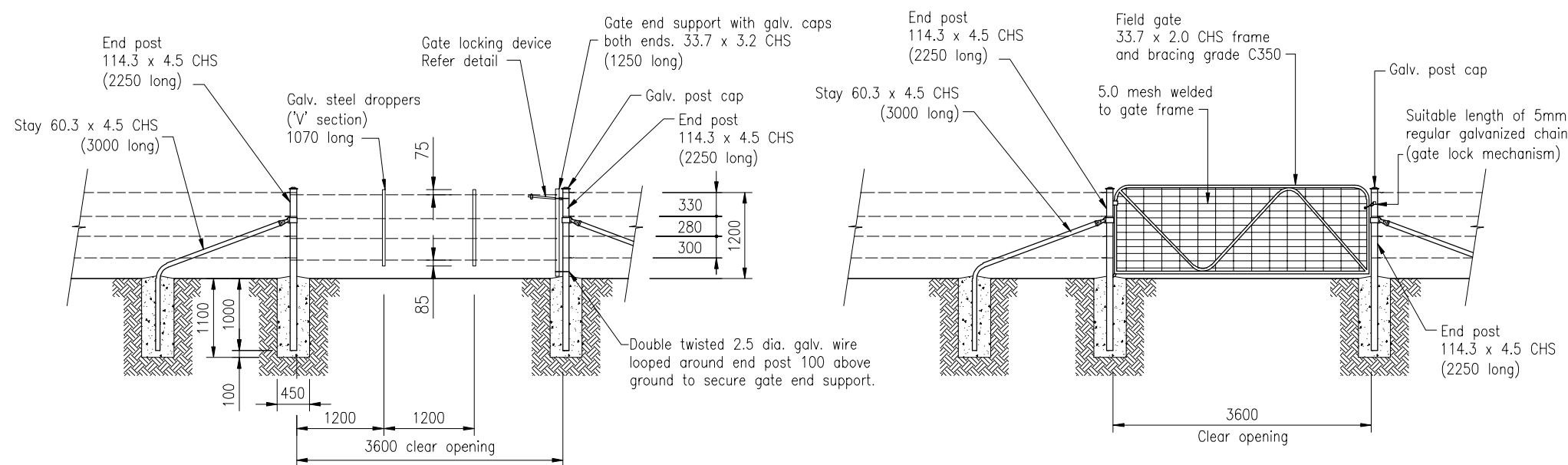


GENERAL ARRANGEMENT



BUSH GATE DETAIL

FIELD GATE DETAIL

NOTES

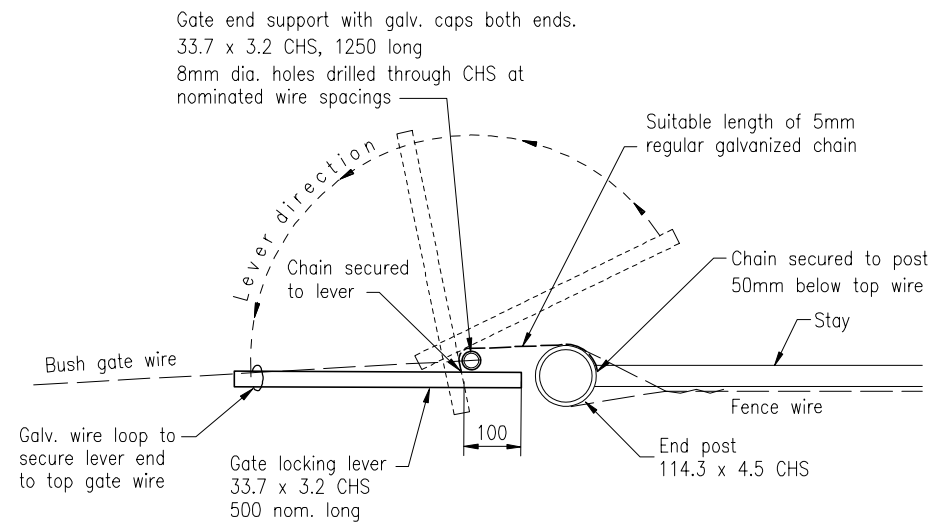
1. CIRCULAR HOLLOW SECTIONS (CHS) to be grade C250 to AS 1163 unless noted otherwise.
2. CONCRETE GRADE shall be N25/20.
3. WHERE HIGH TENSILE FENCING WIRE is used, every second 'Y' section post may be replaced with a galvanized steel dropper.
4. WIRE CONFIGURATION (wire type, number and spacing) may be varied as detailed in the Contract.
5. CHS STAYS shall remain inline with fencing wire regardless of angle of change in horizontal alignment.
6. RUNNING POSTS in highly expansive clays shall have a CHS post depth of 800mm into ground. (concrete depth of 900mm minimum.)
7. FIELD GATE HINGES to manufacturer's specifications.
8. BOLTS, NUTS AND WASHERS to be hot-dip galvanized to AS 1214.
9. ALL STEELWORK AND FITTINGS to be hot-dip galvanized to AS/NZS 4680.
10. GALVANIZED FENCING WIRE to AS 2423.
11. DIMENSIONS are in millimetres, unless shown otherwise.

ASSOCIATED DOCUMENTS:

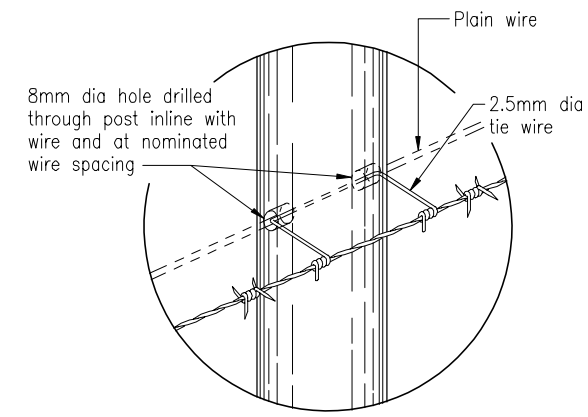
Department of Main Roads Manual of Standard Drawings Roads.
Department of Main Roads Manual of Standard Specifications Roads.

REFERENCED DOCUMENTS:

- Standard Specifications:
Road Furniture
- Australian Standards:
AS 1163 Structural Steel Hollow Sections
AS 1214 Hot-Dip Galvanized Coatings on Threaded Fasteners (ISO metric coarse thread series)
AS 2423 Galvanized Wire Fencing Products
AS/NZS 4680 Hot-Dip Galvanized (zinc) Coatings on Fabricated Ferrous Articles



GATE LOCKING DEVICE - PLAN VIEW



DETAIL A
RUNNING POST WIRE FASTENING

1601

FENCING			
RURAL FENCE AND GATES CHS POSTS AND STAYS		Size A3	Drawing No
		Scales	1601
		as shown	Date 7/03
			A B