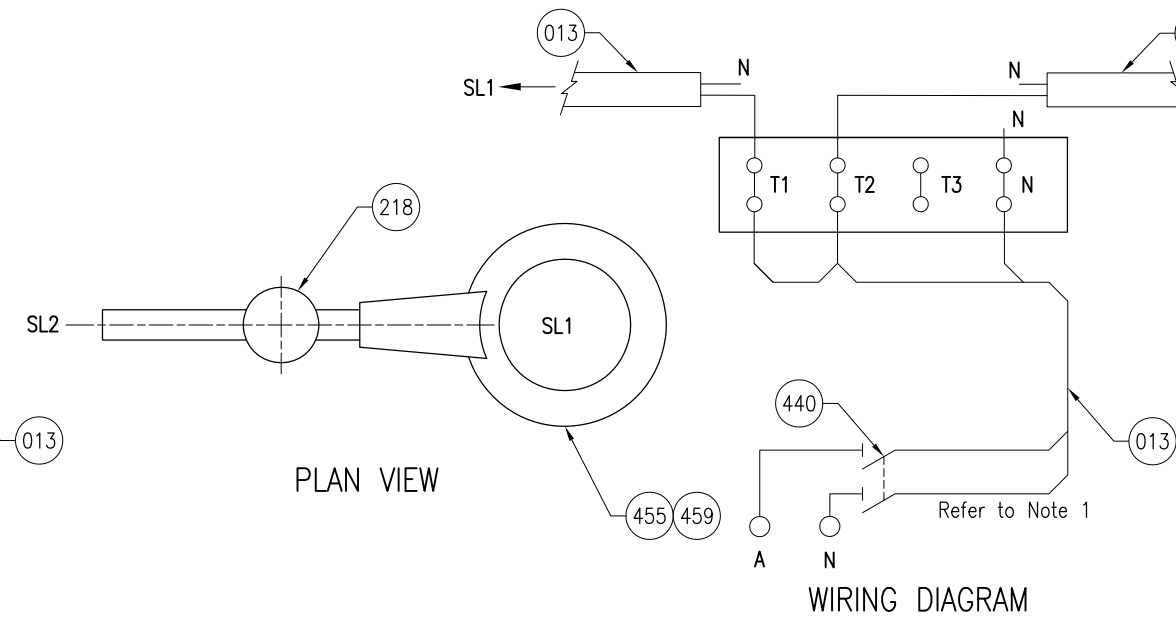
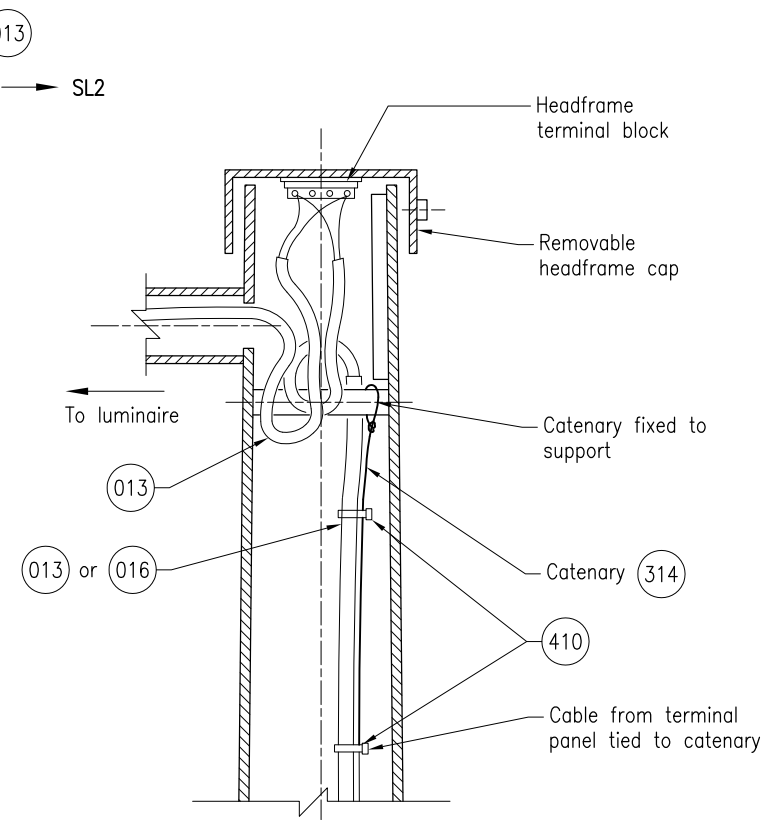


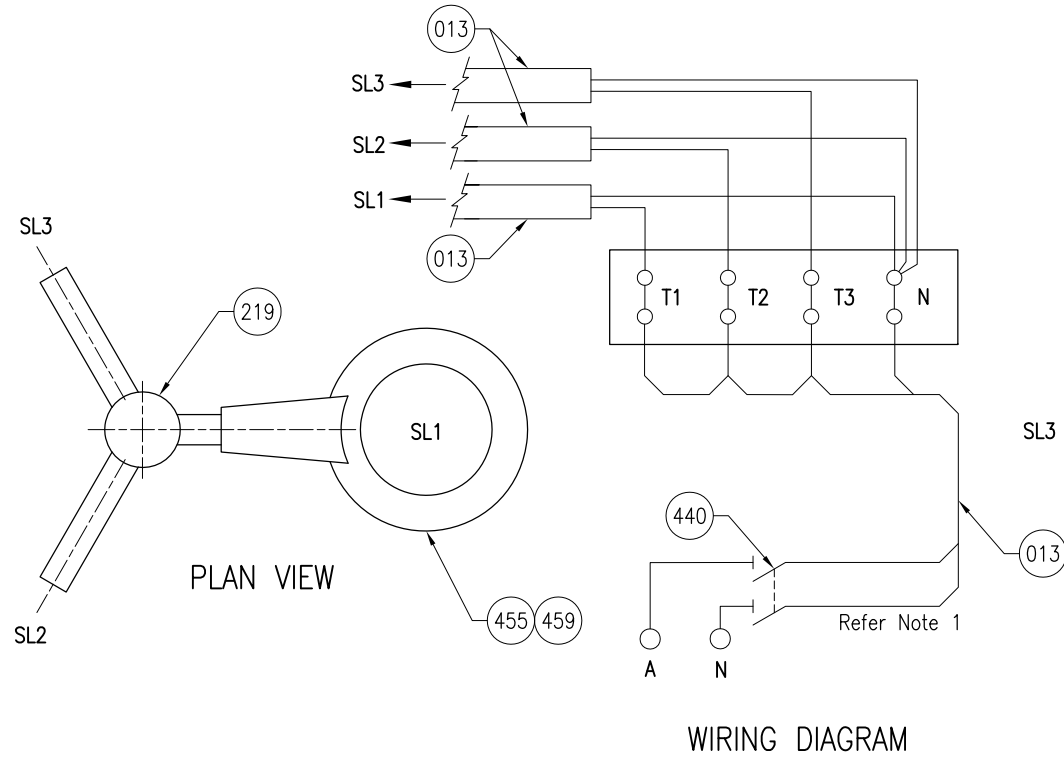
**1 WAY HEADFRAME**  
250 and 400 W LUMINAIRES



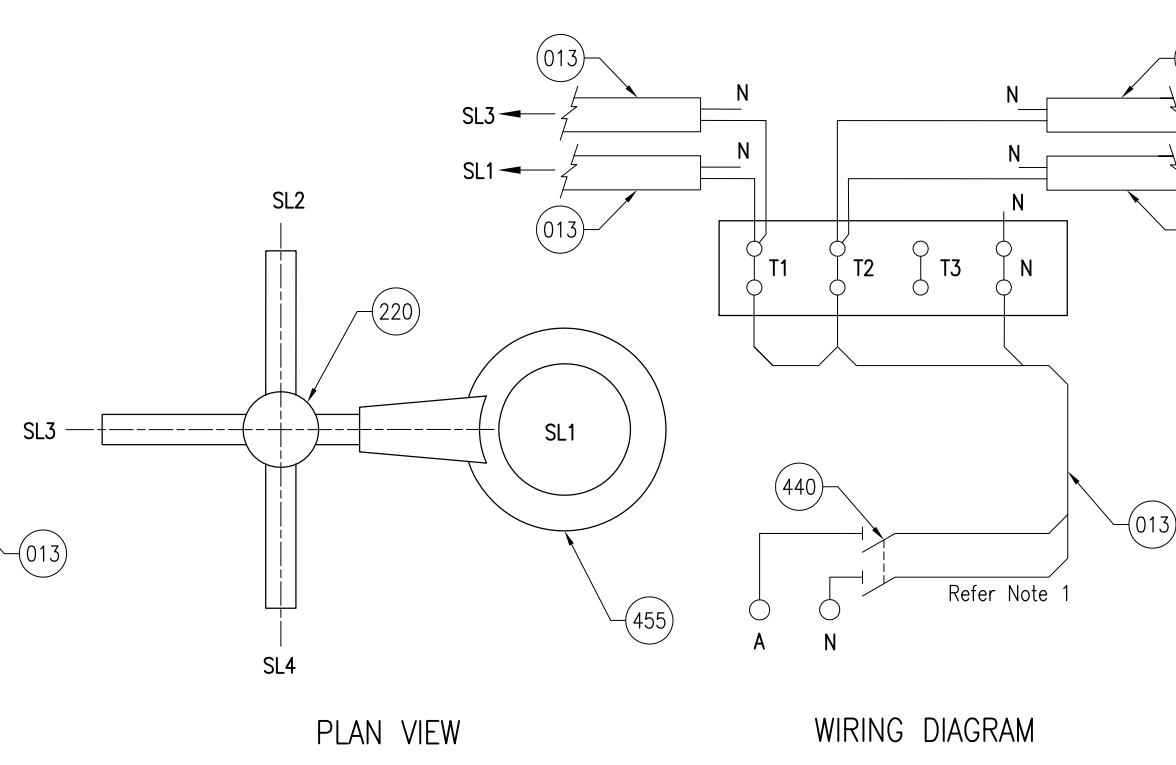
**2 WAY HEADFRAME**  
250 and 400 W LUMINAIRES



**SECTIONAL DETAIL**  
(One cable only shown)



**3 WAY HEADFRAME**  
250 and 400 W LUMINAIRES



**4 WAY HEADFRAME**  
250 W LUMINAIRES ONLY

**NOTES:**  
1. Refer to Standard Drawings 1399 and 1400.

**ASSOCIATED DEPARTMENTAL DOCUMENTS:**  
Standard Drawings  
Specifications

**REFERENCED DOCUMENTS:**  
Departmental Standard Drawings:  
1399 Road Lighting - Base Plate Mounted Pole Wiring Details  
1400 Road Lighting - Slip Base Pole Wiring Details  
1410 Road Lighting - Luminaire Headframes Wiring Details  
4 x 400W Luminaires  
1699 Traffic Signals/Road Lighting/ITS - Parts List

**Departmental Specifications:**  
MRTS256 Power Cables  
**Australian Standards:**  
AS/NZS 3000 Electrical Installations (Wiring Rules)

Department of Transport and Main Roads				<small>© The State of Queensland (Department of Transport and Main Roads) 2015 http://creativecommons.org/licenses/by/3.0/au</small>	
<b>ROAD LIGHTING</b>				A3	Standard Drawing No
<b>LUMINAIRE HEADFRAMES WIRING DETAILS EXCLUDING 4 X 400W LUMINAIRES</b>		Not to Scale	<b>1409</b>		Date 7/15
A	B	C	D	E	F