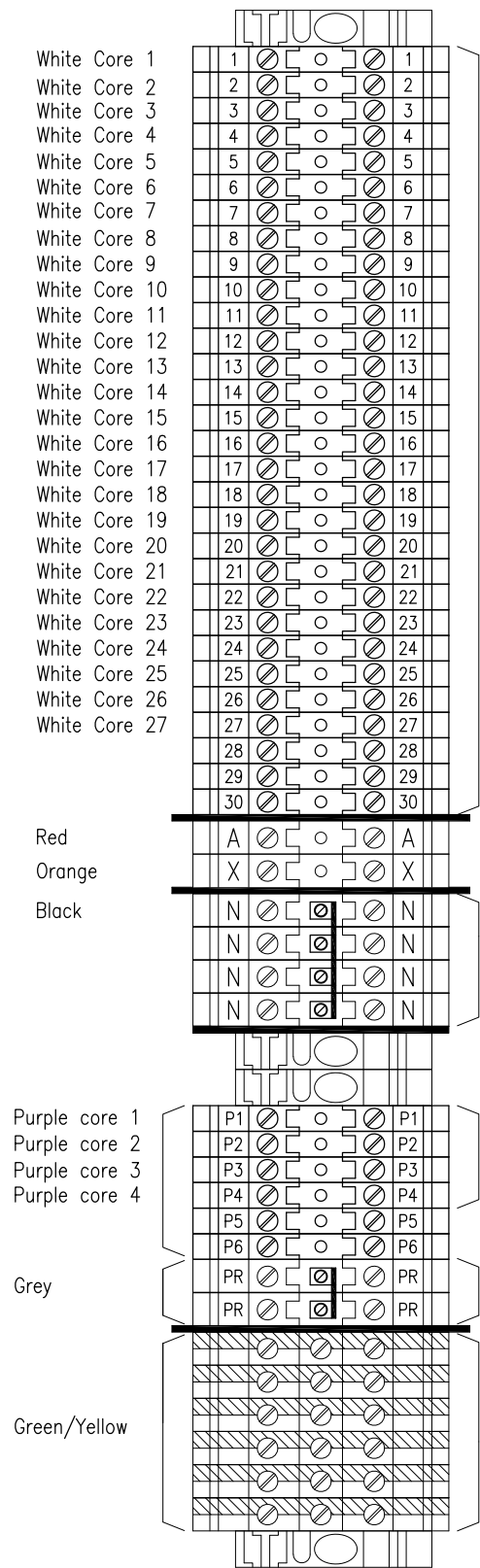


36 CORE MULTICORE

EQUIPMENT

LANTERN WIRING

AUDIO TACTILE DRIVER



Lanterns  
Refer Note 1

240V Active  
Control

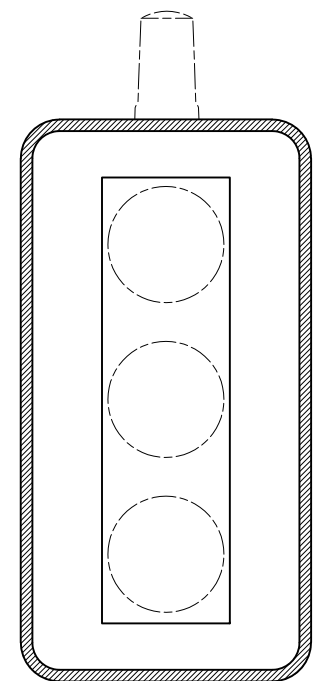
Neutrals

Pedestrian  
Pushbuttons  
Refer Note 1

Pushbutton  
Common

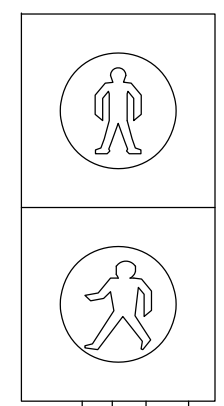
Earths

TERMINAL CONNECTIONS



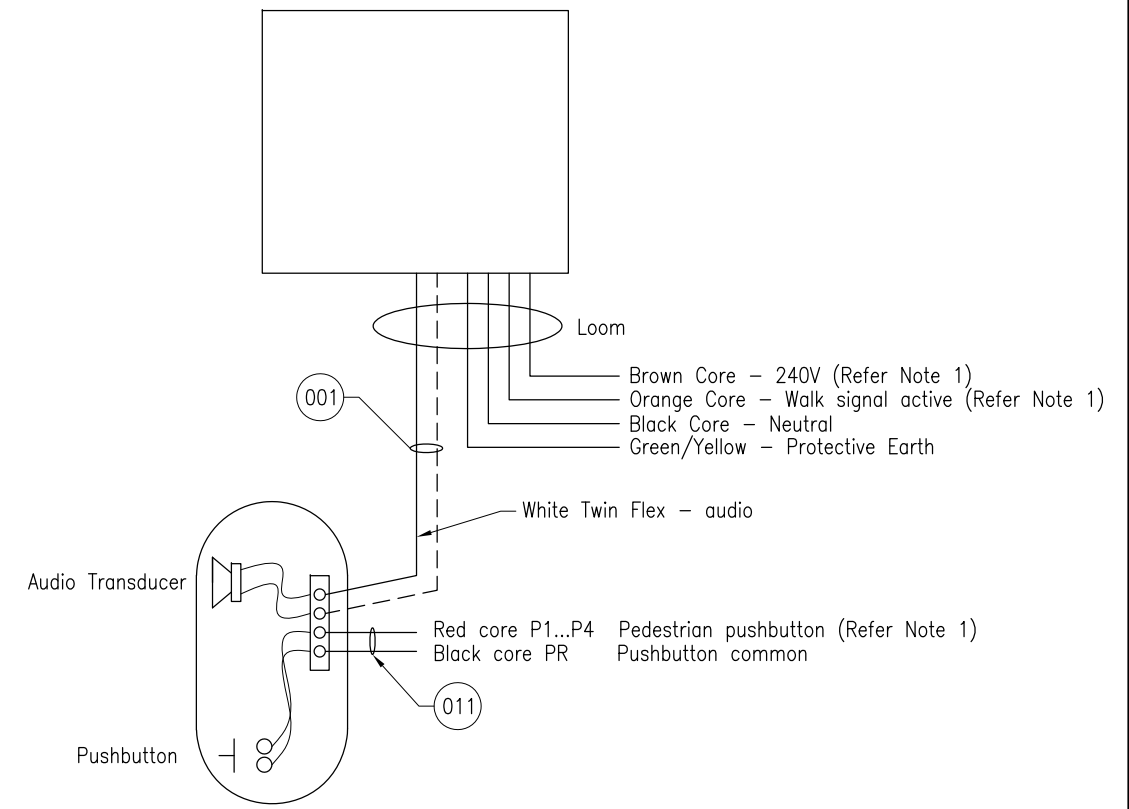
Red Core - Red aspect  
Orange Core - Yellow aspect  
White Core - Green aspect  
Brown Core - Additional Green aspect  
Black Core - Neutral  
Green/Yellow Core - Protective Earth

} Refer Note 1



Red Core - Don't walk  
White Core - Walk  
Black Core - Neutral  
Green/Yellow Core - Protective Earth

} Refer Note 1



PEDESTRIAN  
PUSHBUTTON

NOTES:

1. Refer to Project Specific Traffic Signals drawings for signal group and pushbutton allocations.

ASSOCIATED DEPARTMENTAL DOCUMENTS:

- Standard Drawings
- Specifications

REFERENCED DOCUMENTS:

Departmental Standard Drawings:  
1699 Traffic Signals/Road Lighting/ITS - Parts List

Australian Standards:

- AS/NZS 2144 Traffic Signal Lanterns
- AS 2353 Pedestrian Push-button Assemblies
- AS/NZS 3000 Electrical Installations (Wiring Rules)

Department of Transport and Main Roads			
TRAFFIC SIGNALS			
TRAFFIC SIGNAL WIRING CONNECTIONS		A3	Standard Drawing No
		Not to Scale	1670
			Date 3/2025
A	B	C	