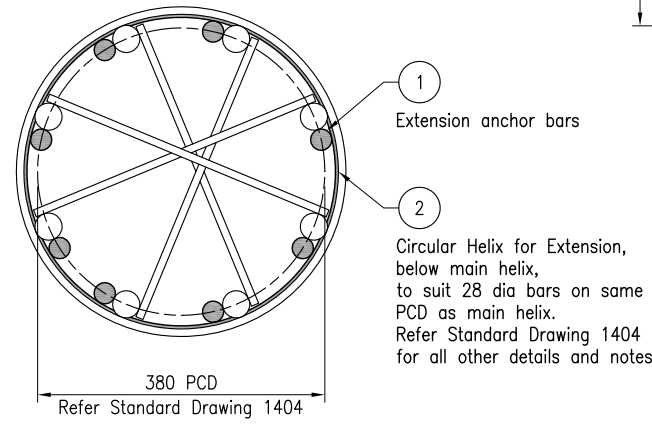
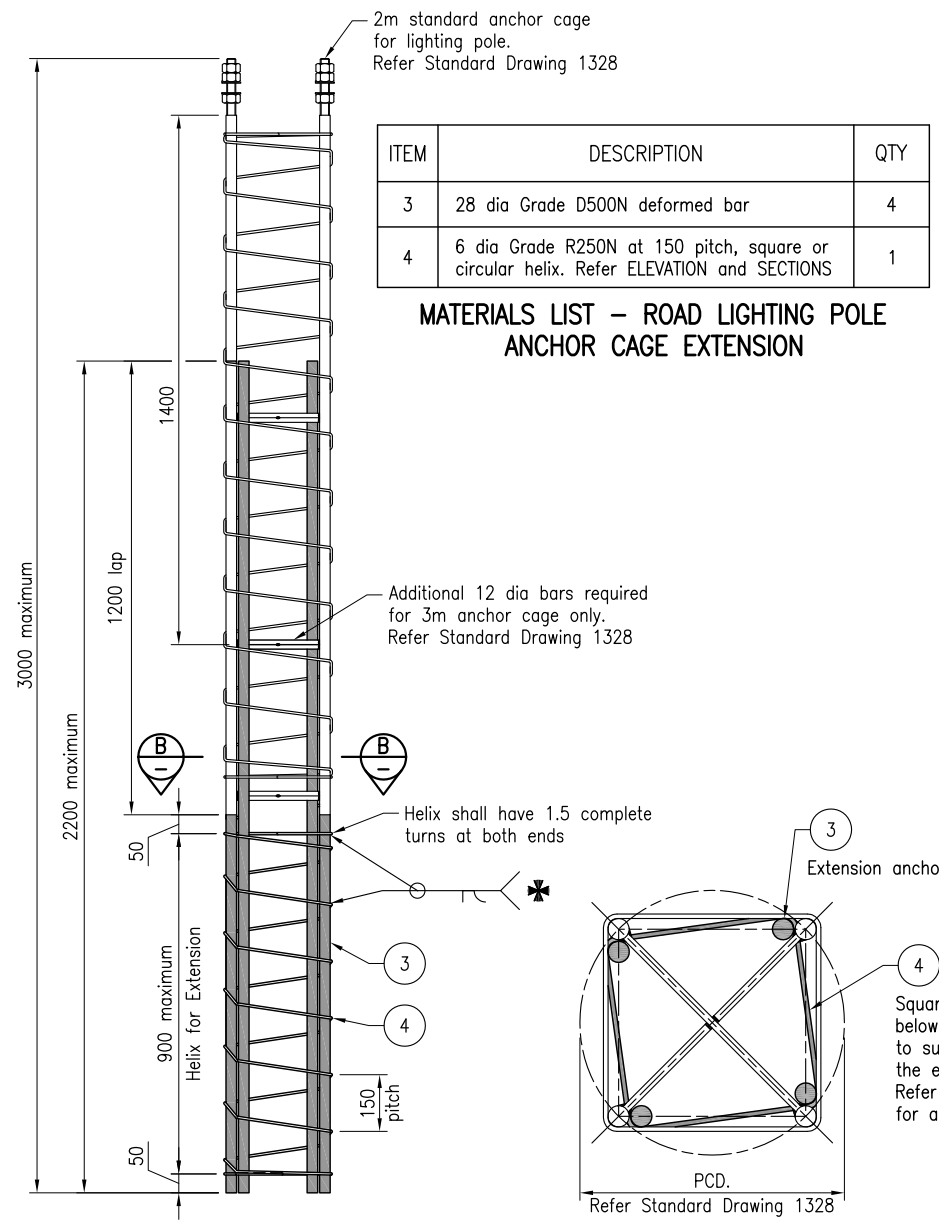


ITEM	DESCRIPTION	QTY
1	28 dia Grade D500N deformed bar	8
2	10 dia Grade R250N at 150 pitch, circular helix. Refer ELEVATION and SECTIONS	1

MATERIALS LIST – TRAFFIC SIGNAL MAST ARM ANCHOR CAGE EXTENSION

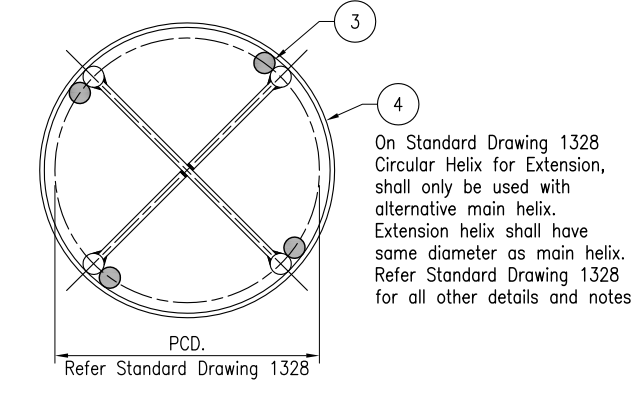
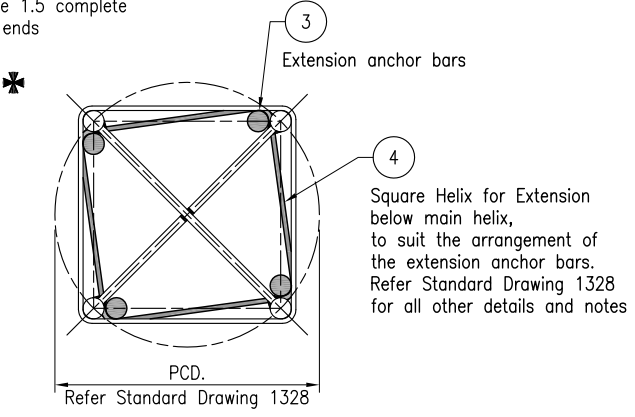


TRAFFIC SIGNAL MAST ARM ANCHOR CAGE EXTENSION



ITEM	DESCRIPTION	QTY
3	28 dia Grade D500N deformed bar	4
4	6 dia Grade R250N at 150 pitch, square or circular helix. Refer ELEVATION and SECTIONS	1

MATERIALS LIST – ROAD LIGHTING POLE ANCHOR CAGE EXTENSION



ROAD LIGHTING POLE ANCHOR CAGE EXTENSION

The purpose of this drawing is to provide typical standard details. The fitness for purpose of this drawing for a specific project shall be determined and certified by an RPEQ engineer. Additional project specific details may be required to be included in the scheme drawings.

NOTES:

- SCOPE: This Standard Drawing provides details of the anchor cage extensions to suit the standard 2m Mast Arm anchor cage on Standard Drawing 1404, and to suit the standard 2m Lighting Pole anchor cages on Standard Drawing 1328.
- EXTENSION ANCHOR BARS, Items 1 and 3, shall be placed adjacent to the anchor bars in standard cage. The extension bars shall be securely tied to the anchor bars and the helix of the standard cage using annealed wire not less than 1.25mm in diameter.
- For all other details and notes refer Standard Drawings 1328 and 1404.

REFERENCED DOCUMENTS:

- Departmental Standard Drawings:
 1328 Road Lighting/ITS – Lighting/Camera Pole Anchor Cage Fabrication Details
 1404 Traffic Signals – Mast Arm Anchor Cage Fabrication Details

Departmental Specifications:

MRTS78 Fabrication of Structural Steelwork

Department of Transport and Main Roads		 <small>© The State of Queensland (Department of Transport and Main Roads) 2018 http://creativecommons.org/licenses/by/3.0/au</small>
TRAFFIC SIGNALS/ROAD LIGHTING		
EXTENSION TO LIGHT POLE AND MAST ARM ANCHOR CAGES		Standard Drawing No 1680 Date 7/18
A3	Not to Scale	
A	B	C